

# Technical Data Sheet

CODE 10904

## AXIAL K

In-Line centrifugal fans for kitchen cabinet  
(UK EXP)



### Certifications



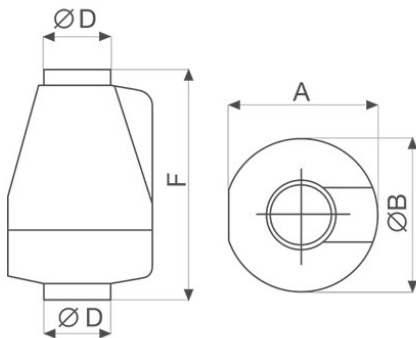
IMQ Performance



### TECHNICAL AND PERFORMANCE DATA

Frequency (Hz)	50	Voltage (V)	220-240
Insulation class	II <sup>o</sup>	Weight (Kg)	1,2
IP	X2	Max airflow (l/s)	37,5
Max absorbed current (A)	0,13	Max airflow (m <sup>3</sup> /h)	135
Max absorbed power (W)	27	Max pressure (mmH2O)	17
Max ambient temperature for continuous operation (°C)	40	Max pressure (Pa)	167
Nominal diameter (mm)	100	RPM	2560
		Sound pressure Lp [dB (A)] at 3 m	41

### DIMENSIONS



Size A (mm)	168
Size B (mm)	Ø 176
Size D (mm)	Ø 97
Size F (mm)	270

### PER INFORMAZIONI / FOR INFORMATION

#### ITALY

Pre Sales:  
prevendita@vortice-italy.com  
After Sales:  
postvendita@vortice-italy.com

#### UNITED KINGDOM & REP. OF

#### IRELAND

Sales Dept:  
sales@vortice.ltd.uk  
Technical Dept:  
technical@vortice.ltd.uk

#### OTHER COUNTRIES

Sales Dept:  
export@vortice-italy.com  
After Sales:  
after-sales@vortice-italy.com

# Technical Data Sheet

CODE 10904

## AXIAL K

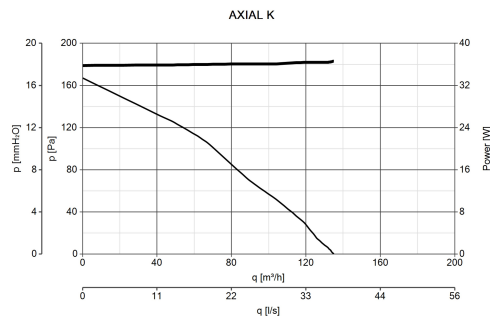
In-Line centrifugal fans for kitchen cabinet  
(UK EXP)



### DESCRIPTION

- Material: UV resistant plastic (prevents ageing caused by exposure to sunlight).
- Nominal diameter: 100 mm
- 1 speed motor with thermal overload protection and shaft turning in self-lubricating bushings, coupled to a centrifugal impeller.
- Maximum air flow 135 m<sup>3</sup>/h
- Protective grille on inlet port
- IMQ SAFETY and IMQ PERFORMANCE certifications
- Vortice speed controller.

### CURVES



### ACCESSORIES



**SCNRB  
SCAT.COM.NON  
REV.INCASSO**  
Code 12971



**CA-MU (STAFFE  
DI SOSTEGNO)**  
Code 22674



**C 1.5  
(COMANDO EL.  
1.5 A)**  
Code 12966



**DEVIATORE DI  
FLUSSO M 10/4**  
Code 22310

### PER INFORMAZIONI / FOR INFORMATION

#### ITALY

Pre Sales:  
prevendita@vortice-italy.com  
After Sales:  
postvendita@vortice-italy.com

#### UNITED KINGDOM & REP. OF

#### IRELAND

Sales Dept:  
sales@vortice.ltd.uk  
Technical Dept:  
technical@vortice.ltd.uk

#### OTHER COUNTRIES

Sales Dept:  
export@vortice-italy.com  
After Sales:  
after-sales@vortice-italy.com