

Technical Data Sheet

CODE 11630

M 10/4" T



Certifications



IMQ



CE



IMQ Performance



EAC

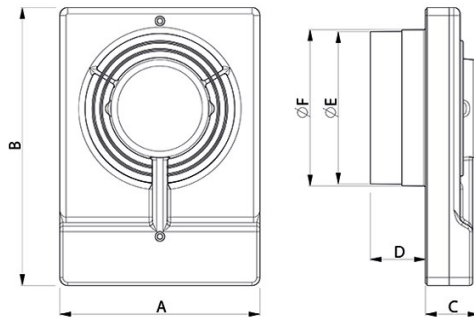


UKCA

TECHNICAL AND PERFORMANCE DATA

Frequency (Hz)	50	Weight (Kg)	0,44
Insulation class	II°	Max airflow (l/s)	23,6
IP	X0	Max airflow (m ³ /h)	85
Max absorbed current (A)	0,09	Max pressure (mmH2O)	4,2
Max absorbed power (W)	16	Max pressure (Pa)	41,2
Nominal diameter (mm)	100	RPM	2430
Ø Discharge hole (mm)	98	Sound power Lw [dB(A)]	51
Voltage (V)	220-240	Sound pressure Lp [dB (A)] at 3 m	39

DIMENSIONS



Size A (mm)	127
Size B (mm)	176
Size C (mm)	39
Size D (mm)	35
Size E (mm)	97
Size F (mm)	99

PER INFORMAZIONI / FOR INFORMATION

ITALY

Pre Sales:

prevendita@vortice-italy.com

After Sales:

postvendita@vortice-italy.com

UNITED KINGDOM & REP. OF

IRELAND

Sales Dept:

sales@vortice.ltd.uk

Technical Dept:

technical@vortice.ltd.uk

OTHER COUNTRIES

Sales Dept:

export@vortice-italy.com

After Sales:

after-sales@vortice-italy.com

Technical Data Sheet

CODE 11630

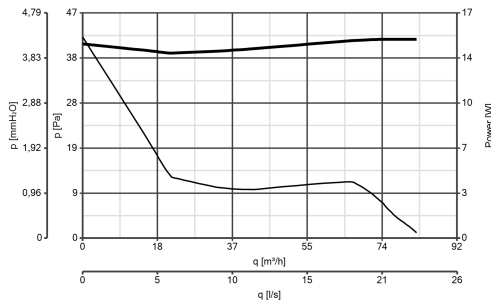
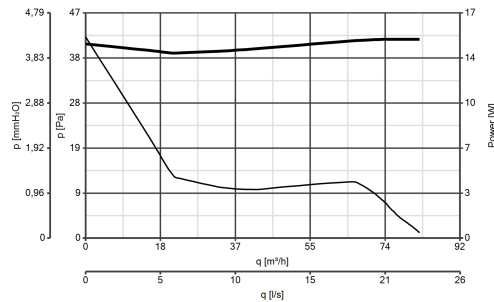
M 10/4" T



DESCRIPTION

- Suitable for use in bathrooms, toilets, kitchens and small rooms.
- Fitted with an electronic timer which can be adjusted to overrun from 3 to 20 minutes.
- High air capacity and low noise levels due to wing shaped blades.
- Motor with thermal overload protection.
- Wear resistant ABS casing for mechanical strength.
- Quick and easy installation and maintenance (all components accessible and easily removed).
- Can be used with a maximum of 50 cm ducting.

CURVES



ACCESSORIES



**C 1.5
(COMANDO EL.
1.5 A)**
Code 12966



**SCNRB
SCAT.COM.NON
REV.INCASSO**
Code 12971



**DEVIATORE DI
FLUSSO M 10/4**
Code 22310



**KIT SCB
(TRASF.E.C.)**
Code 22481

PER INFORMAZIONI / FOR INFORMATION

ITALY
Pre Sales:
prevendita@vortice-italy.com
After Sales:
postvendita@vortice-italy.com

UNITED KINGDOM & REP. OF
IRELAND
Sales Dept:
sales@vortice.ltd.uk
Technical Dept:
technical@vortice.ltd.uk

OTHER COUNTRIES
Sales Dept:
export@vortice-italy.com
After Sales:
after-sales@vortice-italy.com