

Technical Data Sheet

CODE 12108

VORT PLATT HCS

Centralised continuous ventilation unit



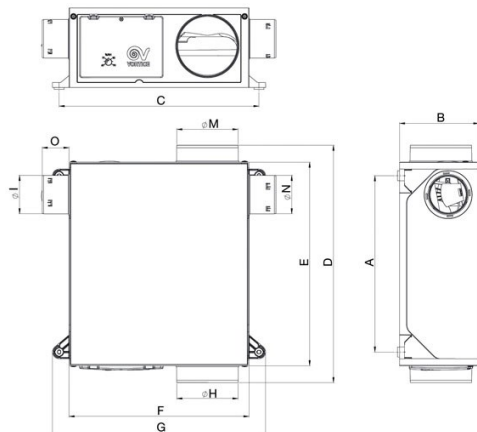
Certifications



TECHNICAL AND PERFORMANCE DATA

Frequency (Hz)	50	Weight (Kg)	5,4
Insulation class	II°	Airflow at 1st speed (l/s)	48.8
IP	X4	Airflow at 1st speed (m³/h)	176
Max absorbed current at Max speed (A)	0,25	Max airflow at Max speed (l/s)	95.2
Max absorbed current at Min speed (A)	0,21	Max airflow at Max speed (m³/h)	343
Max absorbed power at Max speed (W)	56	Max pressure at Max speed (mmH2O)	41.9
Max ambient temperature for continuous operation (°C)	60	Max pressure at Max speed (Pa)	411.7
Nominal diameter (mm)	80-125	Max RPM	2610
Number of speeds	3	Min RPM	1300
Power absorbed at 1st speed (W)	23	Pressure at 1st speed (mmH2O)	26.6
Voltage (V)	230	Pressure at 1st speed (Pa)	261
		Sound power Lw [dB(A)]	34.9

DIMENSIONS



Size A (mm)	355
Size B (mm)	160
Size C (mm)	403
Size D (mm)	478
Size E (mm)	410
Size F (mm)	363
Size G (mm)	430
Size H (mm)	∅
Size I (mm)	124,5
Size J (mm)	∅
Size K (mm)	77,5
Size M (mm)	∅
Size N (mm)	124,5
Size O (mm)	∅
Size P (mm)	77,5
Size Q (mm)	54

PER INFORMAZIONI / FOR INFORMATION

ITALY

Pre Sales:

prevendita@vortice-italy.com

After Sales:

postvendita@vortice-italy.com

UNITED KINGDOM & REP. OF

IRELAND

Sales Dept:

sales@vortice.ltd.uk

Technical Dept:

technical@vortice.ltd.uk

OTHER COUNTRIES

Sales Dept:

export@vortice-italy.com

After Sales:

after-sales@vortice-italy.com

Technical Data Sheet

CODE 12108

VORT PLATT HCS

Centralised continuous ventilation unit



DESCRIPTION

ACCESSORIES



REGOLATORE

30

Code 22325



REGOLATORE

15

Code 22324

PER INFORMAZIONI / FOR INFORMATION

ITALY

Pre Sales:
prevendita@vortice-italy.com
After Sales:
postvendita@vortice-italy.com

UNITED KINGDOM & REP. OF IRELAND

Sales Dept:
sales@vortice.ltd.uk
Technical Dept:
technical@vortice.ltd.uk

OTHER COUNTRIES

Sales Dept:
export@vortice-italy.com
After Sales:
after-sales@vortice-italy.com