

# Technical Data Sheet

CODE 15039

## TORRETTA TRM 10 ED 4P

Centrifugal roof fans with horizontal discharge for hot fumes extraction



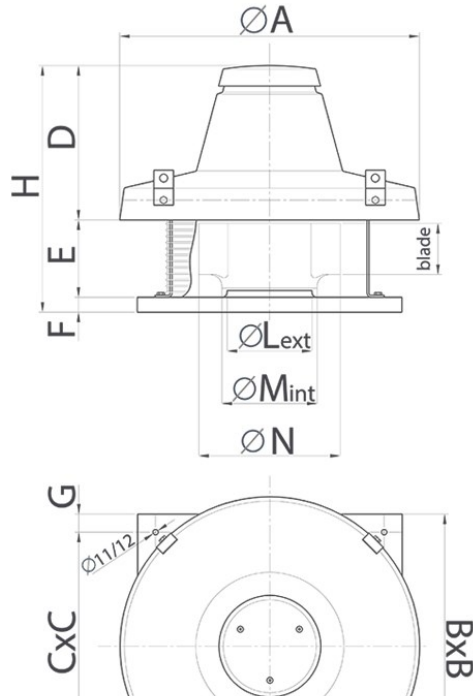
### Certifications



### TECHNICAL AND PERFORMANCE DATA

Frequency (Hz)	50	Number of poles	4
Insulation class	1°	Voltage (V)	220-240
Max absorbed current (A)	0,46	Weight (Kg)	18,5
Max absorbed power (W)	110	Max airflow (l/s)	278
Max ambient temperature for continuous operation (°C)	90	Max airflow (m³/h)	1000
Motor ATEX marking	55	Max pressure (mmH2O)	20
Nominal diameter (mm)	200	Max pressure (Pa)	196
Number of phases (Ph)	1	RPM	1395
		Sound pressure Lp [dB (A)] at 3 m	56

### DIMENSIONS



Size A (mm)	600
Size B (mm)	410
Size C (mm)	357
Size D (mm)	309
Size E (mm)	166
Size F (mm)	38
Size G (mm)	26,5
Size H (mm)	513
Size L (mm)	183
Size M (mm)	187,5
Size N (mm)	284

PER INFORMAZIONI / FOR INFORMATION

#### ITALY

Pre Sales:  
[prevendita@vortice-italy.com](mailto:prevendita@vortice-italy.com)  
 After Sales:  
[postvendita@vortice-italy.com](mailto:postvendita@vortice-italy.com)

#### UNITED KINGDOM & REP. OF

IRELAND  
 Sales Dept:  
[sales@vortice.ltd.uk](mailto:sales@vortice.ltd.uk)  
 Technical Dept:  
[technical@vortice.ltd.uk](mailto:technical@vortice.ltd.uk)

#### OTHER COUNTRIES

Sales Dept:  
[export@vortice-italy.com](mailto:export@vortice-italy.com)  
 After Sales:  
[after-sales@vortice-italy.com](mailto:after-sales@vortice-italy.com)

# Technical Data Sheet

CODE 15039

## TORRETTA TRM 10 ED 4P

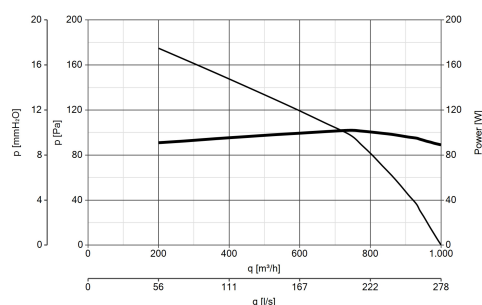
Centrifugal roof fans with horizontal discharge for hot fumes extraction



### DESCRIPTION

- Centrifugal roof fan suitable for extracting hot fumes at up to 400 °C for 120 minutes.
- Base manufactured from phosphated pressed steel, epoxy powder coated with hammered effect finish, guaranteeing long-term resistance to atmospheric agents.
- Aerodynamically contoured inlet port for optimum performance, fashioned as a single unit with the base and gauged to optimize air flow.
- Motor mounting plate made of steel with galvanization surface treatment.
- Pressed steel motor cover: pickled and phosphated surface, polyester powder coated and oven baked finish, colour grey, with hammered texture.
- Accident prevention and anti-bird grilles (to UNI ISO 13857 standard), consisting of electrically welded steel rings with epoxy powder coated finish, colour black.
- Centrifugal impeller with self-cleaning backward curved blades, dynamically balanced (UNI ISO 1940, Point 1 – Class 6.3), made of electrolytically galvanized pressed steel.
- 1 speed single phase AC motor with shaft turning in ball bearings, size to UNEL MEC standard, flange B5, self-ventilating. Motor insulation class H, with metal cooling fan and cable gland.
- Maximum air flow: 1000 m<sup>3</sup>/h.
- Equipped with a motor start capacitor that must be installed remotely from the fan so that it cannot be damaged through direct exposure to heat.
- Galvanized steel eye lugs for transport and lifting/handling operations.
- Cable guaranteeing continuity of earth connection.
- Steel safety wire for anchoring the appliance once installed.

### CURVES



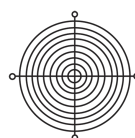
### ACCESSORIES



**IRM 30**  
Code 12921



**TR-CU 10/15  
(CONTROTELAIO  
DI BASE U.)**  
Code 22511



**TR-G 10/15  
(GRIGLIA DI  
PROTEZIONE)**  
Code 22700



PER INFORMAZIONI / FOR INFORMATION

ITALY  
Pre Sales:  
prevendita@vortice-italy.com  
After Sales:  
postvendita@vortice-italy.com

UNITED KINGDOM & REP. OF  
IRELAND  
Sales Dept:  
sales@vortice.ltd.uk  
Technical Dept:  
technical@vortice.ltd.uk

OTHER COUNTRIES  
Sales Dept:  
export@vortice-italy.com  
After Sales:  
after-sales@vortice-italy.com

