

# Technical Data Sheet

CODE 15072

## TORRETTA TRT 70 E 6P

Centrifugal roof fans with horizontal discharge



### Certifications

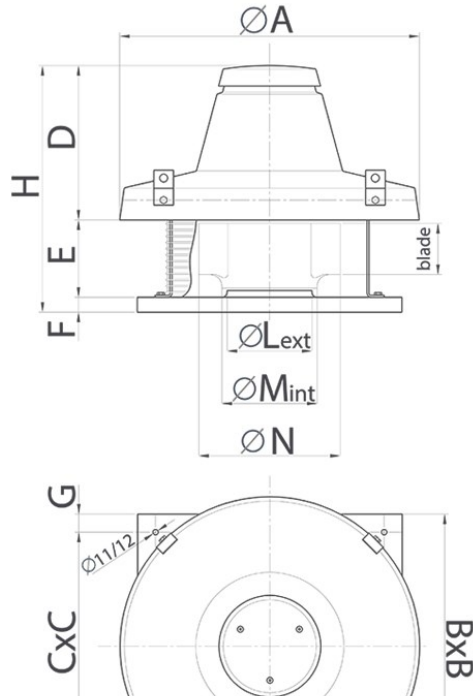
CE CE

EAC EAC

### TECHNICAL AND PERFORMANCE DATA

Frequency (Hz)	50	Number of poles	6
Insulation class	1°	Voltage (V)	400
Max absorbed current (A)	1,30	Weight (Kg)	80
Max absorbed power (W)	600	Max airflow (l/s)	1944
Max ambient temperature for continuous operation (°C)	90	Max airflow (m³/h)	7000
Motor ATEX marking	55	Max pressure (mmH2O)	38
Nominal diameter (mm)	400	Max pressure (Pa)	373
Number of phases (Ph)	3	RPM	950
		Sound pressure Lp [dB (A)] at 3 m	74

### DIMENSIONS



Size A (mm)	1015
Size B (mm)	830
Size C (mm)	750
Size D (mm)	449
Size E (mm)	283
Size F (mm)	38
Size G (mm)	40
Size H (mm)	770
Size L (mm)	Ø
	365
Size M (mm)	Ø 375
Size N (mm)	Ø
	564

PER INFORMAZIONI / FOR INFORMATION

#### ITALY

Pre Sales:  
[prevendita@vortice-italy.com](mailto:prevendita@vortice-italy.com)  
 After Sales:  
[postvendita@vortice-italy.com](mailto:postvendita@vortice-italy.com)

#### UNITED KINGDOM & REP. OF

IRELAND  
 Sales Dept:  
[sales@vortice.ltd.uk](mailto:sales@vortice.ltd.uk)  
 Technical Dept:  
[technical@vortice.ltd.uk](mailto:technical@vortice.ltd.uk)

#### OTHER COUNTRIES

Sales Dept:  
[export@vortice-italy.com](mailto:export@vortice-italy.com)  
 After Sales:  
[after-sales@vortice-italy.com](mailto:after-sales@vortice-italy.com)

# Technical Data Sheet

CODE 15072

## TORRETTA TRT 70 E 6P

Centrifugal roof fans with horizontal discharge



### DESCRIPTION

- Base manufactured from phosphated pressed steel, epoxy powder coated with hammered effect finish, guaranteeing long-term resistance to atmospheric agents.
- Aerodynamically contoured inlet port for optimum performance, fashioned as a single unit with the base and gauged to optimize air flow.
- Pressed steel motor cover: pickled and phosphated surface, polyester powder coated and oven baked finish, colour grey, with hammered texture.
- Accident prevention and anti-bird grilles (to UNI ISO 13857 standard), consisting of electrically welded steel rings with epoxy powder coated finish, colour black.
- Centrifugal impeller with self-cleaning backward curved steel blades, hot-dip galvanized and dynamically balanced (UNI ISO 1940, Point 1 – Class 6.3), and splined aluminium hub.
- 1 speed three phase AC motor, insulation class F, with shaft turning in double shielded ball bearings.
- Maximum airflow: 7000 m<sup>3</sup>/h
- Motor and fan designed for operation in ambient temperatures higher than 65 °C.
- Cooling fan for better dissipation of heat
- Galvanized steel eye lugs for transport and lifting/handling operations.
- Cable guaranteeing continuity of earth connection.
- Steel safety wire for anchoring the appliance once installed.
- Vortice speed controller.

### ACCESSORIES



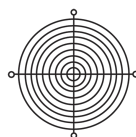
#### IRT 35

Code 12924



#### IRET 6

Code 12934



#### TR-G 70/100

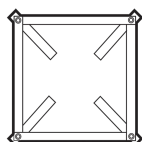
(GRIGLIA DI PROTEZIONE)

Code 22506



**TR-B 70/100  
(BOCCAGLIO  
ASPIRAZIONE)**

Code 22508



**TR-CU 70/100  
(CONTROTELAIO  
DI BASE U)**

Code 22539



**IRET INVERTER  
2,5 M**

Code 12816

### PER INFORMAZIONI / FOR INFORMATION

#### ITALY

Pre Sales:  
prevendita@vortice-italy.com  
After Sales:  
postvendita@vortice-italy.com

#### UNITED KINGDOM & REP. OF

#### IRELAND

Sales Dept:  
sales@vortice.ltd.uk  
Technical Dept:  
technical@vortice.ltd.uk

#### OTHER COUNTRIES

Sales Dept:  
export@vortice-italy.com  
After Sales:  
after-sales@vortice-italy.com