

Technical Data Sheet

CODE 15075

TORRETTA TRT 100 E 8P

Centrifugal roof fans with horizontal discharge



Certifications

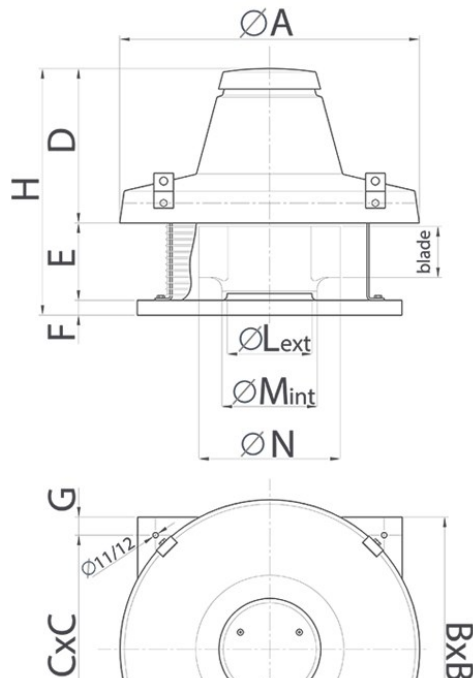
CE CE

EAC EAC

TECHNICAL AND PERFORMANCE DATA

Frequency (Hz)	50	Voltage (V)	400
Insulation class	1°	Weight (Kg)	127
Max absorbed current (A)	2,10	Max airflow (l/s)	3056
Max absorbed power (W)	930	Max airflow (m ³ /h)	11000
Max ambient temperature for continuous operation (°C)	80	Max pressure (mmH2O)	34
Motor ATEX marking	55	Max pressure (Pa)	334
Nominal diameter (mm)	500	Max static pressure	34 Pa 334
Number of phases (Ph)	3	RPM	715
Number of poles	8	Sound pressure Lp [dB (A)] at 3 m	71

DIMENSIONS



Size A (mm)	1165
Size B (mm)	980
Size C (mm)	900
Size D (mm)	605
Size E (mm)	383
Size F (mm)	38
Size G (mm)	40
Size H (mm)	1026
Size L (mm)	∅
	465
Size M (mm)	∅ 472
Size N (mm)	∅ 715

PER INFORMAZIONI / FOR INFORMATION

ITALY

Pre Sales:
prevendita@vortice-italy.com
 After Sales:
postvendita@vortice-italy.com

UNITED KINGDOM & REP. OF

IRELAND
 Sales Dept:
sales@vortice.ltd.uk
 Technical Dept:
technical@vortice.ltd.uk

OTHER COUNTRIES

Sales Dept:
export@vortice-italy.com
 After Sales:
after-sales@vortice-italy.com

Technical Data Sheet

CODE 15075

TORRETTA TRT 100 E 8P

Centrifugal roof fans with horizontal discharge



DESCRIPTION

Centrifugal roof fans with horizontal discharge.

- For installation in commercial and industrial environments, clubs, offices, theatres, apartment buildings, gyms, restaurants, etc.
- Asynchronous induction motor with protection rating IP55, standard size UNELEMEC B5, self-ventilated, with rotor mounted on ball bearings.
- Three phase model.
- Galvanized steel sheet impeller with self-cleaning, backward curved blades, self-ventilating, die cast aluminium hub, clockwise rotation (intake view).
- Metal frame coated in corrosion-proof epoxy resin to assure long life

and weather resistance.

- Aerodynamic suction nozzle in polyester painted steel sheet.
- Steel bird guard and safety cable
- Controllable with optional regulators.
- For low dust, acid-free and non-corrosive air extraction only.
- Operating temperature from -25°C to +80°C (extracted air).
- Protection rating motor: IP55.
- Insulation class: CL.I.

ACCESSORIES



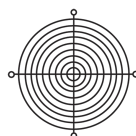
IRT 35

Code 12924



IRET 6

Code 12934



TR-G

**100/150/180/210
6-8P(GRIGLI
APROT.)**

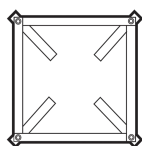
Code 22507



TR-B

**100/150/180/210
6-8P (BOCCA
ASPIR.)**

Code 22509



TR-CU

**100/150/180/210
6-
8P(CONTROT.BASE)**

Code 22540



IRET INVERTER

2,5 M

Code 12816

PER INFORMAZIONI / FOR INFORMATION

ITALY

Pre Sales:
prevendita@vortice-italy.com
After Sales:
postvendita@vortice-italy.com

UNITED KINGDOM & REP. OF

IRELAND

Sales Dept:
sales@vortice.ltd.uk
Technical Dept:
technical@vortice.ltd.uk

OTHER COUNTRIES

Sales Dept:
export@vortice-italy.com
After Sales:
after-sales@vortice-italy.com