

Technical Data Sheet

CODE 15205

TORRETTA TRM 15 E 4P

Centrifugal roof fans with horizontal discharge



Certifications

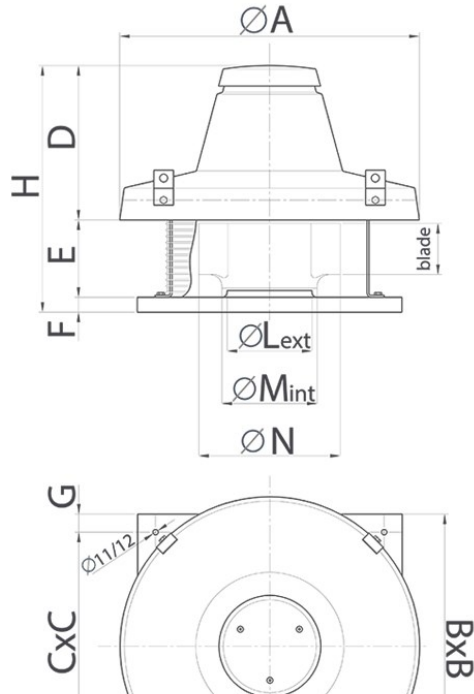
CE CE

EAC EAC

TECHNICAL AND PERFORMANCE DATA

Frequency (Hz)	50	Number of poles	4
Insulation class	I°	Voltage (V)	220-240
Max absorbed current (A)	0,70	Weight (Kg)	15
Max absorbed power (W)	150	Max airflow (l/s)	389
Max ambient temperature for continuous operation (°C)	80	Max airflow (m³/h)	1400
Motor ATEX marking	55	Max pressure (mmH2O)	26
Nominal diameter (mm)	200	Max pressure (Pa)	255
Number of phases (Ph)	1	RPM	1400
		Sound pressure Lp [dB (A)] at 3 m	58,5

DIMENSIONS



Size A (mm)	600
Size B (mm)	410
Size C (mm)	357
Size D (mm)	310
Size E (mm)	108
Size F (mm)	38
Size G (mm)	26,5
Size H (mm)	456
Size L (mm)	182
Size M (mm)	199
Size N (mm)	315

PER INFORMAZIONI / FOR INFORMATION

ITALY

Pre Sales:
prevendita@vortice-italy.com
After Sales:
postvendita@vortice-italy.com

UNITED KINGDOM & REP. OF

IRELAND

Sales Dept:
sales@vortice.ltd.uk
Technical Dept:
technical@vortice.ltd.uk

OTHER COUNTRIES

Sales Dept:
export@vortice-italy.com
After Sales:
after-sales@vortice-italy.com

Technical Data Sheet

CODE 15205

TORRETTA TRM 15 E 4P

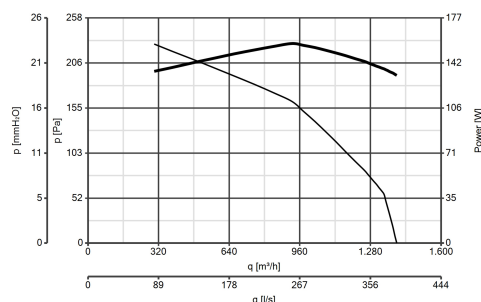
Centrifugal roof fans with horizontal discharge



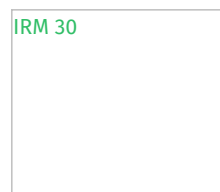
DESCRIPTION

- Base manufactured from phosphated pressed steel, epoxy powder coated with hammered effect finish, guaranteeing long-term resistance to atmospheric agents.
- Aerodynamically contoured inlet port for optimum performance, fashioned as a single unit with the base and gauged to optimize air flow.
- Pressed steel motor cover: pickled and phosphated surface, polyester powder coated and oven baked finish, colour grey, with hammered texture.
- Accident prevention and anti-bird grilles (to UNI ISO 13857 standard), consisting of electrically welded steel rings with epoxy powder coated finish, colour black.
- Centrifugal impeller with self-cleaning backward curved aluminium blades, dynamically balanced (UNI ISO 1940, Point 1 – Class 6.3), and splined aluminium hub.
- 1 speed single phase AC motor, insulation class H, with shaft turning in double shielded ball bearings.
- Maximum airflow: 1400 m³/h
- Motor and fan designed for operation in ambient temperatures higher than 65 °C.
- Equipped with capacitor to EN 60252-1 standard, IMQ certified.
- Cooling fan for better dissipation of heat
- Galvanized steel eye lugs for transport and lifting/handling operations.
- Cable guaranteeing continuity of earth connection.
- Steel safety wire for anchoring the appliance once installed.
- Vortice speed controller.

CURVES



ACCESSORIES



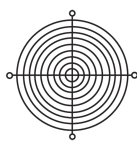
IRM 30
Code 12921



IREM 3 CD
99250080
Code 12931



TR-CU 10/15
(CONTROTELAIO
DI BASE U.)
Code 22511



PER INFORMAZIONI / FOR INFORMATION

ITALY
Pre Sales:
prevendita@vortice-italy.com
After Sales:
postvendita@vortice-italy.com

UNITED KINGDOM & REP. OF
IRELAND
Sales Dept:
sales@vortice.ltd.uk
Technical Dept:
technical@vortice.ltd.uk

OTHER COUNTRIES
Sales Dept:
export@vortice-italy.com
After Sales:
after-sales@vortice-italy.com

