

# Technical Data Sheet

CODE 15556

## TORRETTA TRM 50 E 4P

Centrifugal roof fans with horizontal discharge



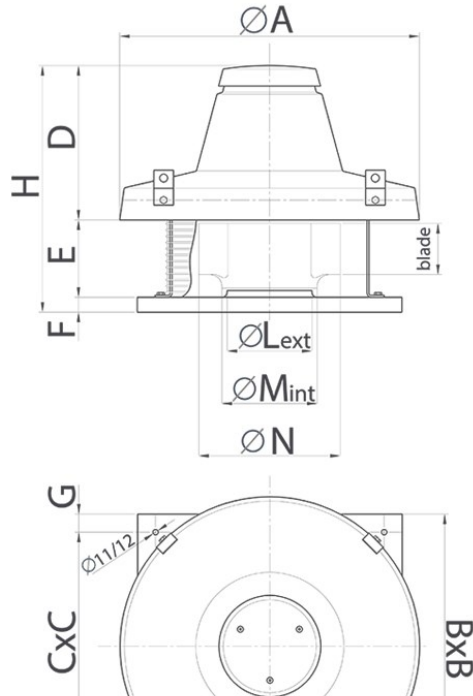
### Certifications



### TECHNICAL AND PERFORMANCE DATA

Frequency (Hz)	50	Number of poles	4
Insulation class	1°	Voltage (V)	230
Max absorbed current (A)	3,70	Weight (Kg)	28
Max absorbed power (W)	800	Max airflow (l/s)	1333
Max ambient temperature for continuous operation (°C)	80	Max airflow (m³/h)	4800
Motor ATEX marking	55	Max pressure (mmH2O)	55
Nominal diameter (mm)	300	Max pressure (Pa)	540
Number of phases (Ph)	1	RPM	1480
		Sound pressure Lp [dB (A)] at 3 m	72,5

### DIMENSIONS



Size A (mm)	780
Size B (mm)	550
Size C (mm)	500
Size D (mm)	398
Size E (mm)	173
Size F (mm)	38
Size G (mm)	25
Size H (mm)	609
Size L (mm)	∅ 278
Size M (mm)	∅
	298
Size N (mm)	∅
	454

PER INFORMAZIONI / FOR INFORMATION

#### ITALY

Pre Sales:  
[prevendita@vortice-italy.com](mailto:prevendita@vortice-italy.com)  
 After Sales:  
[postvendita@vortice-italy.com](mailto:postvendita@vortice-italy.com)

#### UNITED KINGDOM & REP. OF

IRELAND  
 Sales Dept:  
[sales@vortice.ltd.uk](mailto:sales@vortice.ltd.uk)  
 Technical Dept:  
[technical@vortice.ltd.uk](mailto:technical@vortice.ltd.uk)

#### OTHER COUNTRIES

Sales Dept:  
[export@vortice-italy.com](mailto:export@vortice-italy.com)  
 After Sales:  
[after-sales@vortice-italy.com](mailto:after-sales@vortice-italy.com)

# Technical Data Sheet

CODE 15556

## TORRETTA TRM 50 E 4P

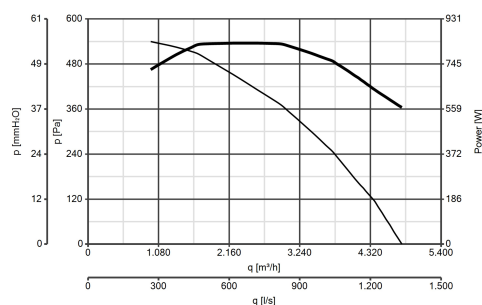
Centrifugal roof fans with horizontal discharge



### DESCRIPTION

- Base manufactured from phosphated pressed steel, epoxy powder coated with hammered effect finish, guaranteeing long-term resistance to atmospheric agents.
- Aerodynamically contoured inlet port for optimum performance, fashioned as a single unit with the base and gauged to optimize air flow.
- Pressed steel motor cover: pickled and phosphated surface, polyester powder coated and oven baked finish, colour grey, with hammered texture.
- Accident prevention and anti-bird grilles (to UNI ISO 13857 standard), consisting of electrically welded steel rings with epoxy powder coated finish, colour black.
- Centrifugal impeller with self-cleaning backward curved aluminium blades, dynamically balanced (UNI ISO 1940, Point 1 – Class 6.3), and splined aluminium hub.
- 1 speed single phase AC motor, insulation class F, with shaft turning in double shielded ball bearings.
- Maximum airflow: 4800 m<sup>3</sup>/h
- Motor and fan designed for operation in ambient temperatures higher than 65 °C.
- Equipped with capacitor to EN 60252-1 standard, IMQ certified.
- Cooling fan for better dissipation of heat
- Galvanized steel eye lugs for transport and lifting/handling operations.
- Cable guaranteeing continuity of earth connection.
- Steel safety wire for anchoring the appliance once installed.
- Vortice speed controller.

### CURVES



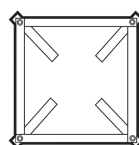
### ACCESSORIES



**IRM 50**  
Code 12928



**IREM 5 CD**  
**99250081**  
Code 12932



**TR-CU**  
**20/30/50**  
**(CONTROTELAIO**  
**DI BASE U)**  
Code 22512



PER INFORMAZIONI / FOR INFORMATION



ITALY  
Pre Sales:  
prevendita@vortice-italy.com  
After Sales:  
postvendita@vortice-italy.com

UNITED KINGDOM & REP. OF  
IRELAND  
Sales Dept:  
sales@vortice.ltd.uk  
Technical Dept:  
technical@vortice.ltd.uk

OTHER COUNTRIES  
Sales Dept:  
export@vortice-italy.com  
After Sales:  
after-sales@vortice-italy.com

Code 22610

Code 22710