

# Technical Data Sheet

CODE 17143

## LINEO 100 Q

Mixed flow extractor fans



### Certifications



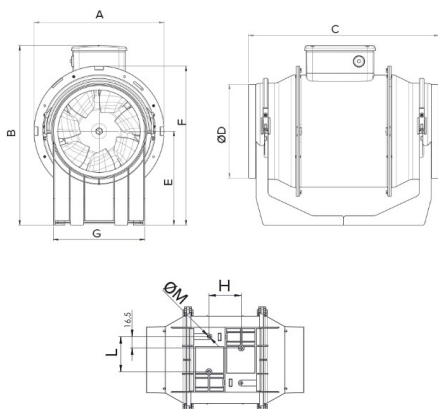
IMQ Performance



### TECHNICAL AND PERFORMANCE DATA

Frequency (Hz)	50	Airflow at 1st speed (l/s)	43,1
Insulation class	II°	Airflow at 1st speed (m³/h)	155
IP	44	Max airflow at Max speed (l/s)	55,6
Max absorbed current at Max speed (A)	0,07	Max airflow at Max speed (m³/h)	200
Max absorbed current at Min speed (A)	0,05	Max pressure at Max speed (mmH2O)	7,5
Max absorbed power (W)	15	Max pressure at Max speed (Pa)	73,6
Max ambient temperature for continuous operation (°C)	60	Max RPM	2450
Nominal diameter (mm)	100	Min RPM	1860
Power absorbed at 1st speed (W)	12	Pressure at 1st speed (mmH2O)	6,5
Voltage (V)	220-240	Pressure at 1st speed (Pa)	63,8
Weight (Kg)	1,25	Sound pressure at 3 m - min speed Lp [dB (A)] 3m - min speed	29,4
		Sound pressure at 3m at Max speed Lp [dB (A)]	37,9

### DIMENSIONS



Size A (mm)	156
Size B (mm)	174
Size C (mm)	231
Size D (mm)	Ø 96
Size E (mm)	82
Size F (mm)	152
Size G (mm)	95
Size H (mm)	47,5
Size L (mm)	51,5
Size M (mm)	4,5

### PER INFORMAZIONI / FOR INFORMATION

#### ITALY

Pre Sales:  
[prevendita@vortice-italy.com](mailto:prevendita@vortice-italy.com)  
 After Sales:  
[postvendita@vortice-italy.com](mailto:postvendita@vortice-italy.com)

#### UNITED KINGDOM & REP. OF

IRELAND  
 Sales Dept:  
[sales@vortice.ltd.uk](mailto:sales@vortice.ltd.uk)  
 Technical Dept:  
[technical@vortice.ltd.uk](mailto:technical@vortice.ltd.uk)

#### OTHER COUNTRIES

Sales Dept:  
[export@vortice-italy.com](mailto:export@vortice-italy.com)  
 After Sales:  
[after-sales@vortice-italy.com](mailto:after-sales@vortice-italy.com)

# Technical Data Sheet

CODE 17143

## LINEO 100 Q

Mixed flow extractor fans

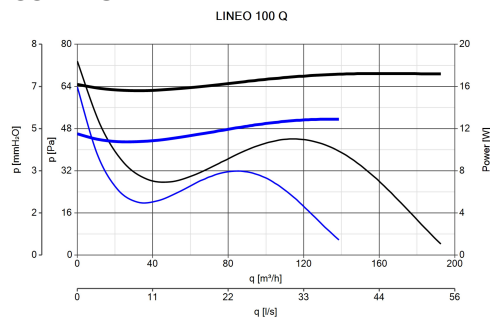


### DESCRIPTION

- Enclosures made of fire resistant plastic resin, E2 class, according with ISO EN 11925-2: 2010, in areas close to motor and electrical components.
- Nominal diameter 100 mm.
- Induction motor, thermally protected, with shaft mounted on ball

- bearing supports, coupled with a centrifugal impeller.
- High water resistance: IPX5 (if installed in a duct).
- Speed adjustable through Vortice speed devices.

### CURVES



### ACCESSORIES



#### C TEMP

Code 12992

#### C SMOKE

Code 12993

#### C HCS

Code 12994



#### C PIR

Code 12998

#### C TIMER

Code 12999

#### LINEO-G 100

Code 22701

#### LINEO-C 100

Code 22584



PER INFORMAZIONI / FOR INFORMATION

#### ITALY

Pre Sales:  
prevendita@vortice-italy.com  
After Sales:  
postvendita@vortice-italy.com

#### UNITED KINGDOM & REP. OF IRELAND

Sales Dept:  
sales@vortice.ltd.uk  
Technical Dept:  
technical@vortice.ltd.uk

#### OTHER COUNTRIES

Sales Dept:  
export@vortice-italy.com  
After Sales:  
after-sales@vortice-italy.com



**KIT SCB**  
**(TRASF.E.C.)**

Code 22481