

# Technical Data Sheet

CODE 17145

## LINEO 125

Mixed flow extractor fans



### Certifications



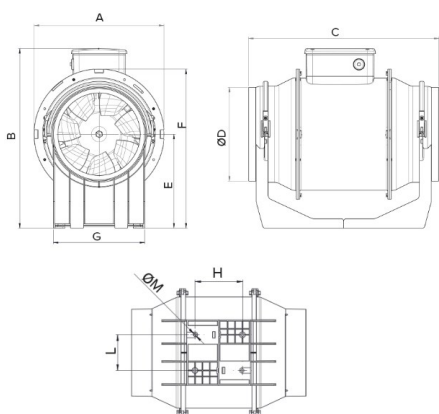
IMQ Performance



### TECHNICAL AND PERFORMANCE DATA

Frequency (Hz)	50	Airflow at 1st speed (l/s)	69,4
Insulation class	II°	Airflow at 1st speed (m³/h)	250
IP	44	Max airflow at Max speed (l/s)	101,4
Max absorbed current at Max speed (A)	0,15	Max airflow at Max speed (m³/h)	365
Max absorbed current at Min speed (A)	0,11	Max pressure at Max speed (mmH2O)	17
Max absorbed power at Max speed (W)	33	Max pressure at Max speed (Pa)	166,8
Max ambient temperature for continuous operation (°C)	60	Max RPM	2140
Nominal diameter (mm)	125	Min RPM	1570
Power absorbed at 1st speed (W)	25	Pressure at 1st speed (mmH2O)	13
Voltage (V)	220-240	Pressure at 1st speed (Pa)	127,5
Weight (Kg)	1,8	Sound pressure at 3 m - min speed Lp [dB (A)] 3m - min speed	33,9
		Sound pressure at 3m at Max speed Lp [dB (A)]	43

### DIMENSIONS



Size A (mm)	188,5
Size B (mm)	211
Size C (mm)	258
Size D (mm)	122
Size E (mm)	101,5
Size F (mm)	189
Size G (mm)	90
Size H (mm)	80
Size L (mm)	60
Size M (mm)	5,5

### PER INFORMAZIONI / FOR INFORMATION

#### ITALY

Pre Sales:

prevendita@vortice-italy.com

After Sales:

postvendita@vortice-italy.com

#### UNITED KINGDOM & REP. OF

IRELAND

Sales Dept:

sales@vortice.ltd.uk

Technical Dept:

technical@vortice.ltd.uk

#### OTHER COUNTRIES

Sales Dept:

export@vortice-italy.com

After Sales:

after-sales@vortice-italy.com

# Technical Data Sheet

CODE 17145

## LINEO 125

Mixed flow extractor fans

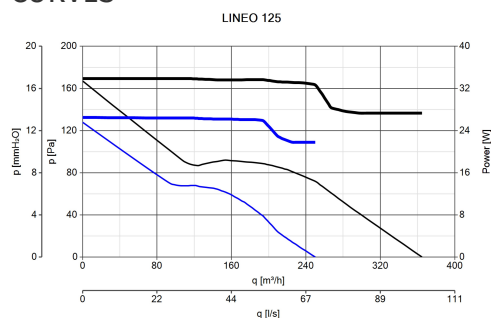


### DESCRIPTION

- Enclosures made of fire resistant plastic resin, E2 class, according with ISO EN 11925-2: 2010, in areas close to motor and electrical components.
- Nominal diameter 125 mm.
- Induction motor, thermally protected, with shaft mounted on ball

- bearing supports, coupled with a centrifugal impeller.
- High water resistance: IPX5 (if installed in a duct).
- Speed adjustable through Vortice speed devices.

### CURVES



### ACCESSORIES



#### C TEMP

Code 12992

#### C SMOKE

Code 12993

#### C HCS

Code 12994



#### C PIR

Code 12998

#### C TIMER

Code 12999

#### LINEO-G 125

Code 22702

#### LINEO-C 125

Code 22585



PER INFORMAZIONI / FOR INFORMATION

#### ITALY

Pre Sales:  
prevendita@vortice-italy.com  
After Sales:

#### UNITED KINGDOM & REP. OF

IRELAND  
Sales Dept:  
sales@vortice.ltd.uk  
Technical Dept:

#### OTHER COUNTRIES

Sales Dept:  
export@vortice-italy.com  
After Sales:

[postvendita@vortice-italy.com](mailto:postvendita@vortice-italy.com)

[technical@vortice.ltd.uk](mailto:technical@vortice.ltd.uk)

[after-sales@vortice-italy.com](mailto:after-sales@vortice-italy.com)



**C 1.5**  
**(COMANDO EL.**  
**1.5 A)**  
Code 12966



**KIT SCB**  
**(TRASF.E.C.)**  
Code 22481