

Technical Data Sheet

CODE 17146

LINEO 150

Mixed flow extractor fans



Certifications



IMQ Performance

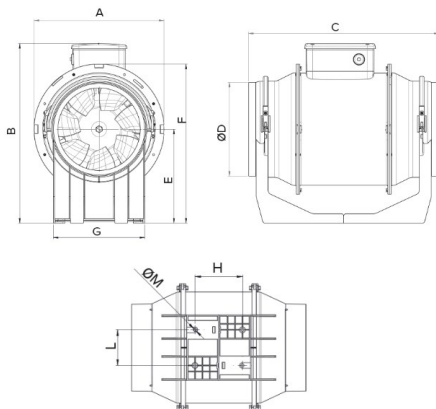


UKCA

TECHNICAL AND PERFORMANCE DATA

Frequency (Hz)	50	Airflow at 1st speed (l/s)	106,9
Insulation class	II°	Airflow at 1st speed (m³/h)	385
IP	44	Max airflow at Max speed (l/s)	152,8
Max absorbed current at Max speed (A)	0,26	Max airflow at Max speed (m³/h)	550
Max absorbed current at Min speed (A)	0,18	Max pressure at Max speed (mmH2O)	27
Max absorbed power at Max speed (W)	58	Max pressure at Max speed (Pa)	264,9
Max ambient temperature for continuous operation (°C)	60	Max RPM	2100
Nominal diameter (mm)	150	Min RPM	1580
Power absorbed at 1st speed (W)	40	Pressure at 1st speed (mmH2O)	21
Voltage (V)	220-240	Pressure at 1st speed (Pa)	206
Weight (Kg)	2,5	Sound pressure at 3 m - min speed Lp [dB (A)] 3m - min speed	41,4
		Sound pressure at 3m at Max speed Lp [dB (A)]	50,5

DIMENSIONS



Size A (mm)	214,5
Size B (mm)	234
Size C (mm)	294
Size D (mm)	146
Size E (mm)	112,5
Size F (mm)	212
Size G (mm)	110
Size H (mm)	80
Size L (mm)	60
Size M (mm)	5,5

PER INFORMAZIONI / FOR INFORMATION

ITALY

Pre Sales:

prevendita@vortice-italy.com

After Sales:

postvendita@vortice-italy.com

UNITED KINGDOM & REP. OF

IRELAND

Sales Dept:

sales@vortice.ltd.uk

Technical Dept:

technical@vortice.ltd.uk

OTHER COUNTRIES

Sales Dept:

export@vortice-italy.com

After Sales:

after-sales@vortice-italy.com

Technical Data Sheet

CODE 17146

LINEO 150

Mixed flow extractor fans

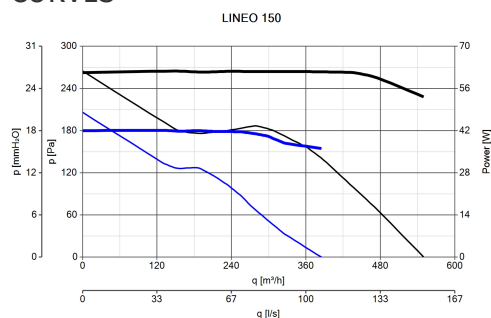


DESCRIPTION

- Enclosures made of fire resistant plastic resin, E2 class, according with ISO EN 11925-2: 2010, in areas close to motor and electrical components.
- Nominal diameter 150 mm.
- Induction motor, thermally protected, with shaft mounted on ball

- bearing supports, coupled with a centrifugal impeller.
- High water resistance: IPX5 (if installed in a duct).
- Speed adjustable through Vortice speed devices.

CURVES



ACCESSORIES



LINEO-G 150

Code 22703



LINEO-C 150

Code 22586



LINEO-PF 150

Code 22579



C TEMP

Code 12992



C SMOKE

Code 12993



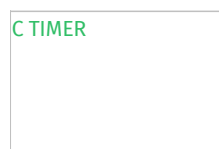
C HCS

Code 12994



C PIR

Code 12998



PER INFORMAZIONI / FOR INFORMATION



ITALY

Pre Sales:
prevendita@vortice-italy.com
After Sales:

UNITED KINGDOM & REP. OF

IRELAND
Sales Dept:
sales@vortice.ltd.uk
Technical Dept:

OTHER COUNTRIES

Sales Dept:
export@vortice-italy.com
After Sales:

postvendita@vortice-italy.com

technical@vortice.ltd.uk

after-sales@vortice-italy.com



IN-LINE-S 150
Code 22562



IN-LINE-S 160
Code 22563



C 1.5
(COMANDO EL.
1.5 A)
Code 12966



KIT SCB
(TRASF.E.C.)
Code 22481