

Technical Data Sheet

CODE 17187

LINEO 150 T

Mixed flow extractor fans



Certifications



IMQ



CE



IMQ Performance

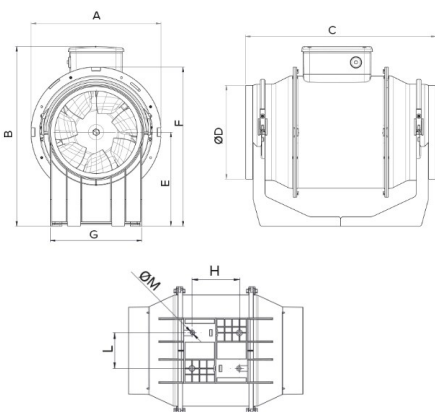


UKCA

TECHNICAL AND PERFORMANCE DATA

Frequency (Hz)	50	Airflow at 1st speed (l/s)	106,9
Insulation class	II°	Airflow at 1st speed (m³/h)	385
IP	44	Max airflow at Max speed (l/s)	152,8
Max absorbed current at Max speed (A)	0,26	Max airflow at Max speed (m³/h)	550
Max absorbed current at Min speed (A)	0,18	Max pressure at Max speed (mmH2O)	27
Max absorbed power at Max speed (W)	58	Max pressure at Max speed (Pa)	264,9
Max ambient temperature for continuous operation (°C)	60	Max RPM	2100
Power absorbed at 1st speed (W)	40	Min RPM	1580
Voltage (V)	220-240	Pressure at 1st speed (mmH2O)	21
Weight (Kg)	2,5	Pressure at 1st speed (Pa)	206
		Sound pressure at 3 m - min speed Lp [dB (A)] 3m - min speed	41,4

DIMENSIONS



Size A (mm)	214,5
Size B (mm)	234
Size C (mm)	294
Size D (mm)	146
Size E (mm)	112,5
Size F (mm)	212
Size G (mm)	110
Size H (mm)	80
Size L (mm)	60
Size M (mm)	5,5

PER INFORMAZIONI / FOR INFORMATION

ITALY

Pre Sales:

prevendita@vortice-italy.com

After Sales:

postvendita@vortice-italy.com

UNITED KINGDOM & REP. OF

IRELAND

Sales Dept:

sales@vortice.ltd.uk

Technical Dept:

technical@vortice.ltd.uk

OTHER COUNTRIES

Sales Dept:

export@vortice-italy.com

After Sales:

after-sales@vortice-italy.com

Technical Data Sheet

CODE 17187

LINEO 150 T

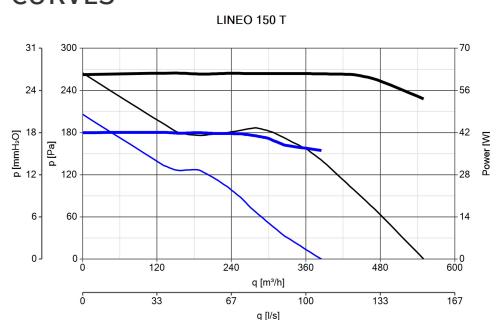
Mixed flow extractor fans



DESCRIPTION

- Enclosures made of fire resistant plastic resin, E2 class, according with ISO EN 11925-2: 2010, in areas close to motor and electrical components.
- Nominal diameter 150 mm.
- Induction motor, thermally protected, with shaft mounted on ball bearing supports, coupled with a centrifugal impeller.
- Equipped with an electronic timer for automatic operation at maximum speed, which can be set in the 3-20' range at the installation (default setting 3').
- High water resistance: IPX5 (if installed in a duct).
- Speed adjustable through Vortice speed devices.

CURVES



ACCESSORIES



LINEO-G 150

Code 22703



LINEO-C 150

Code 22586



LINEO-PF 150

Code 22579



IREM D

Code 12867



DUO

Code 22914



LINEO-SF 500

Code 22593



IN-LINE-S 150

Code 22562

PER INFORMAZIONI / FOR INFORMATION

ITALY

Pre Sales:
prevendita@vortice-italy.com
After Sales:
postvendita@vortice-italy.com

UNITED KINGDOM & REP. OF

IRELAND

Sales Dept:
sales@vortice.ltd.uk
Technical Dept:
technical@vortice.ltd.uk

OTHER COUNTRIES

Sales Dept:
export@vortice-italy.com
After Sales:
after-sales@vortice-italy.com