

# Technical Data Sheet

CODE 30322

## C 20/2 T E

Centrifugal fans



### Certifications

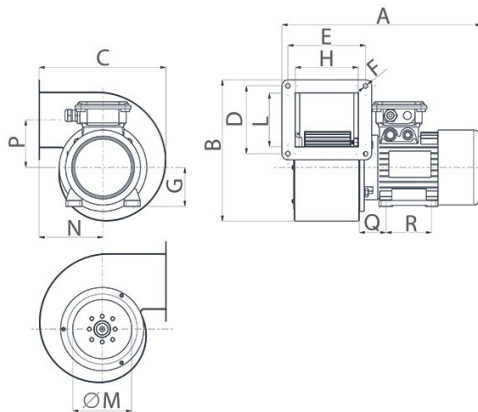
CE CE

EAC EAC

### TECHNICAL AND PERFORMANCE DATA

Frequency (Hz)	50	Voltage (V)	400
Insulation class	I°	Weight (Kg)	5.8
Max absorbed current (A)	0.54	Max airflow (l/s)	222
Max absorbed power (W)	330	Max airflow (m³/h)	800
Max ambient temperature for continuous operation (°C)	50	Max pressure (mmH2O)	52.7
Motor ATEX marking	55	Max pressure (Pa)	517
Number of phases (Ph)	3	RPM	2800
Number of poles	2	Sound pressure Lp [dB (A)] at 3 m	66.0

### DIMENSIONS



Dimension Q (mm)	45
Dimension R (mm)	90
Size A (mm)	350
Size B (mm)	258
Size C (mm)	232
Size D (mm)	123
Size E (mm)	123
Size F (mm)	8,5
Size G (mm)	71
Size H (mm)	102
Size L (mm)	98
Size M (mm)	∅ 108
Size N (mm)	117
Size P (mm)	87

### PER INFORMAZIONI / FOR INFORMATION

#### ITALY

Pre Sales:

[prevendita@vortice-italy.com](mailto:prevendita@vortice-italy.com)

After Sales:

[postvendita@vortice-italy.com](mailto:postvendita@vortice-italy.com)

#### UNITED KINGDOM & REP. OF

IRELAND

Sales Dept:

[sales@vortice.ltd.uk](mailto:sales@vortice.ltd.uk)

Technical Dept:

[technical@vortice.ltd.uk](mailto:technical@vortice.ltd.uk)

#### OTHER COUNTRIES

Sales Dept:

[export@vortice-italy.com](mailto:export@vortice-italy.com)

After Sales:

[after-sales@vortice-italy.com](mailto:after-sales@vortice-italy.com)

# Technical Data Sheet

CODE 30322

## C 20/2 T E

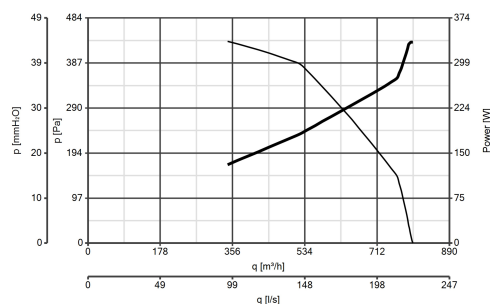
Centrifugal fans



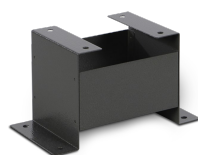
### DESCRIPTION

- Frame and scroll: painted pressed steel, with multiple fixing holes configured to allow alignment of the motor in 8 different positions relative to the outlet port.
- Three-phase AC motor with 1 operating speed and shaft turning in ball bearings.
- Centrifugal impeller with forward-curved blades of zinc-coated steel, dynamically balanced (UNI ISO 1940, Point 1 – Class 6.3).
- Maximum air flow: 244 m<sup>3</sup>/h.

### CURVES

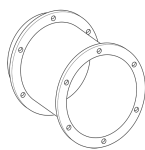


### ACCESSORIES



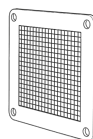
#### C-MS 20/25 (SUPPORTO MOTORE)

Code 22836



#### C-RA 20-25 (RACCORDO DI ASPIRAZIONE)

Code 22828



#### C-GM 20 (GRIGLIA PROT.MANDATA)

Code 22813



#### C-GA 20/25 (GRIGLIA PROT.ASPIRAZIONE)

Code 22803



#### IREM INVERTER 4 M

Code 12815



#### IRET INVERTER 2,5 M

Code 12816

### PER INFORMAZIONI / FOR INFORMATION

#### ITALY

Pre Sales:  
prevendita@vortice-italy.com  
After Sales:  
postvendita@vortice-italy.com

#### UNITED KINGDOM & REP. OF

#### IRELAND

Sales Dept:  
sales@vortice.ltd.uk  
Technical Dept:  
technical@vortice.ltd.uk

#### OTHER COUNTRIES

Sales Dept:  
export@vortice-italy.com  
After Sales:  
after-sales@vortice-italy.com