

Technical Data Sheet

CODE 30325

C 30/2 M E

Centrifugal fans



Certifications

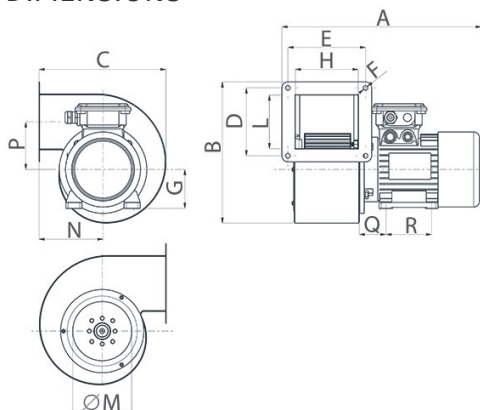
CE CE

EAC EAC

TECHNICAL AND PERFORMANCE DATA

Frequency (Hz)	50	Voltage (V)	230
Insulation class	I°	Weight (Kg)	8,4
Max absorbed current (A)	3,2	Max airflow (l/s)	394.4
Max absorbed power (W)	740	Max airflow (m³/h)	1420
Max ambient temperature for continuous operation (°C)	50	Max pressure (mmH2O)	84
Motor ATEX marking	55	Max pressure (Pa)	824
Number of phases (Ph)	1	RPM	2800
Number of poles	2	Sound pressure Lp [dB (A)] at 3 m	71

DIMENSIONS



Dimension Q (mm)	45
Dimension R (mm)	90
Size A (mm)	366
Size B (mm)	308
Size C (mm)	272
Size D (mm)	126
Size E (mm)	137
Size F (mm)	8,5
Size G (mm)	71
Size H (mm)	117
Size L (mm)	108
Size M (mm)	∅ 132
Size N (mm)	131
Size P (mm)	111

PER INFORMAZIONI / FOR INFORMATION

ITALY

Pre Sales:

prevendita@vortice-italy.com

After Sales:

postvendita@vortice-italy.com

UNITED KINGDOM & REP. OF

IRELAND

Sales Dept:

sales@vortice.ltd.uk

Technical Dept:

technical@vortice.ltd.uk

OTHER COUNTRIES

Sales Dept:

export@vortice-italy.com

After Sales:

after-sales@vortice-italy.com

Technical Data Sheet

CODE 30325

C 30/2 M E

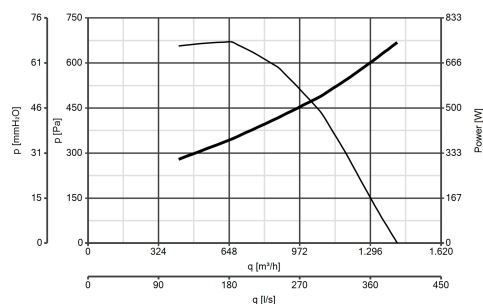
Centrifugal fans



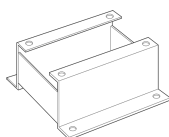
DESCRIPTION

- Frame and scroll: painted pressed steel, with multiple fixing holes configured to allow alignment of the motor in 8 different positions relative to the outlet port.
- Single phase AC motor with 1 operating speed and shaft turning in ball bearings.
- Centrifugal impeller with forward-curved blades of zinc-coated steel, dynamically balanced (UNI ISO 1940, Point 1 – Class 6.3).
- Maximum air flow: 1420 m³/h.

CURVES

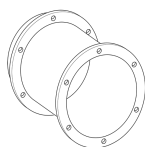


ACCESSORIES



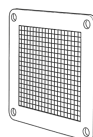
C-MS 30 (SUPPORTO MOTORE)

Code 22837



C-RA 30 (RACCORDO DI ASPIRAZIONE)

Code 22829



C-GM 30 (GRIGLIA PROT.MANDATA)

Code 22816



C-GA 30 (GRIGLIA PROT.ASPIRAZIONE)

Code 22804



IREM INVERTER 4 M

Code 12815

PER INFORMAZIONI / FOR INFORMATION

ITALY

Pre Sales:
prevendita@vortice-italy.com
After Sales:
postvendita@vortice-italy.com

UNITED KINGDOM & REP. OF

IRELAND

Sales Dept:
sales@vortice.ltd.uk
Technical Dept:
technical@vortice.ltd.uk

OTHER COUNTRIES

Sales Dept:
export@vortice-italy.com
After Sales:
after-sales@vortice-italy.com