

Technical Data Sheet

CODE 30326

C 30/2 T E

Centrifugal fans



Certifications

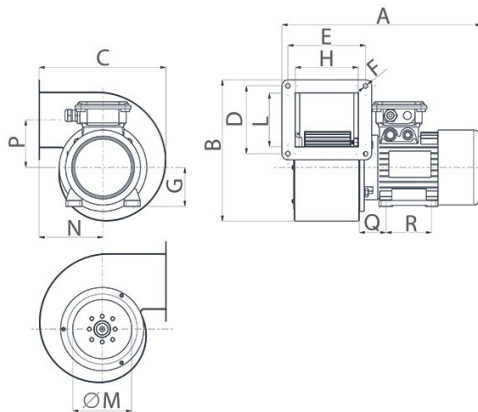
CE CE

EAC EAC

TECHNICAL AND PERFORMANCE DATA

| | | | |
|---|------|-----------------------------------|------|
| Frequency (Hz) | 50 | Voltage (V) | 400 |
| Insulation class | I° | Weight (Kg) | 8,1 |
| Max absorbed current (A) | 1,50 | Max airflow (l/s) | 375 |
| Max absorbed power (W) | 720 | Max airflow (m³/h) | 1350 |
| Max ambient temperature for continuous operation (°C) | 50 | Max pressure (mmH2O) | 85 |
| Motor ATEX marking | 55 | Max pressure (Pa) | 834 |
| Number of phases (Ph) | 3 | RPM | 2800 |
| Number of poles | 2 | Sound pressure Lp [dB (A)] at 3 m | 71 |

DIMENSIONS



| | |
|------------------|-------|
| Dimension Q (mm) | 45 |
| Dimension R (mm) | 90 |
| Size A (mm) | 366 |
| Size B (mm) | 308 |
| Size C (mm) | 272 |
| Size D (mm) | 126 |
| Size E (mm) | 137 |
| Size F (mm) | 8,5 |
| Size G (mm) | 71 |
| Size H (mm) | 117 |
| Size L (mm) | 108 |
| Size M (mm) | ∅ 132 |
| Size N (mm) | 131 |
| Size P (mm) | 111 |

PER INFORMAZIONI / FOR INFORMATION

ITALY

Pre Sales:

prevendita@vortice-italy.com

After Sales:

postvendita@vortice-italy.com

UNITED KINGDOM & REP. OF

IRELAND

Sales Dept:

sales@vortice.ltd.uk

Technical Dept:

technical@vortice.ltd.uk

OTHER COUNTRIES

Sales Dept:

export@vortice-italy.com

After Sales:

after-sales@vortice-italy.com

Technical Data Sheet

CODE 30326

C 30/2 T E

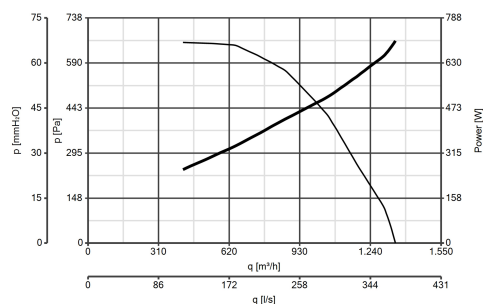
Centrifugal fans



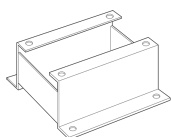
DESCRIPTION

- Frame and scroll: painted pressed steel, with multiple fixing holes configured to allow alignment of the motor in 8 different positions relative to the outlet port.
- Three-phase AC motor with 1 operating speed and shaft turning in ball bearings.
- Centrifugal impeller with forward-curved blades of zinc-coated steel, dynamically balanced (UNI ISO 1940, Point 1 – Class 6.3).
- Maximum air flow: 1350 m³/h.

CURVES

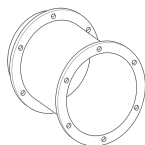


ACCESSORIES



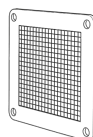
C-MS 30 (SUPPORTO MOTORE)

Code 22837



C-RA 30 (RACCORDO DI ASPIRAZIONE)

Code 22829



C-GM 30 (GRIGLIA PROT.MANDATA)

Code 22816



C-GA 30 (GRIGLIA PROT.ASPIRAZIONE)

Code 22804



IRET INVERTER 2,5 M

Code 12816

PER INFORMAZIONI / FOR INFORMATION

ITALY

Pre Sales:
prevendita@vortice-italy.com
After Sales:
postvendita@vortice-italy.com

UNITED KINGDOM & REP. OF

IRELAND
Sales Dept:
sales@vortice.ltd.uk
Technical Dept:
technical@vortice.ltd.uk

OTHER COUNTRIES

Sales Dept:
export@vortice-italy.com
After Sales:
after-sales@vortice-italy.com