

# Technical Data Sheet

CODE 30328

## C 30/4 T E

Centrifugal fans



### Certifications

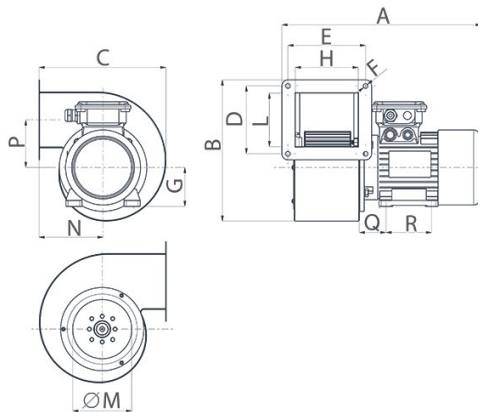
CE CE

EAC EAC

### TECHNICAL AND PERFORMANCE DATA

Frequency (Hz)	50	Voltage (V)	400
Insulation class	I°	Weight (Kg)	8,1
Max absorbed current (A)	0,190	Max airflow (l/s)	182
Max absorbed power (W)	110	Max airflow (m³/h)	655
Max ambient temperature for continuous operation (°C)	50	Max pressure (mmH2O)	13,2
Motor ATEX marking	55	Max pressure (Pa)	176
Number of phases (Ph)	3	RPM	1400
Number of poles	4	Sound pressure Lp [dB (A)] at 3 m	55

### DIMENSIONS



Dimension Q (mm)	45
Dimension R (mm)	90
Size A (mm)	352
Size B (mm)	308
Size C (mm)	272
Size D (mm)	126
Size E (mm)	137
Size F (mm)	8,5
Size G (mm)	71
Size H (mm)	117
Size L (mm)	108
Size M (mm)	∅ 132
Size N (mm)	131
Size P (mm)	111

### PER INFORMAZIONI / FOR INFORMATION

#### ITALY

Pre Sales:

[prevendita@vortice-italy.com](mailto:prevendita@vortice-italy.com)

After Sales:

[postvendita@vortice-italy.com](mailto:postvendita@vortice-italy.com)

#### UNITED KINGDOM & REP. OF

IRELAND

Sales Dept:

[sales@vortice.ltd.uk](mailto:sales@vortice.ltd.uk)

Technical Dept:

[technical@vortice.ltd.uk](mailto:technical@vortice.ltd.uk)

#### OTHER COUNTRIES

Sales Dept:

[export@vortice-italy.com](mailto:export@vortice-italy.com)

After Sales:

[after-sales@vortice-italy.com](mailto:after-sales@vortice-italy.com)

# Technical Data Sheet

CODE 30328

## C 30/4 T E

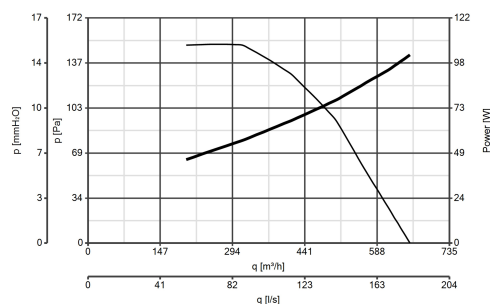
Centrifugal fans



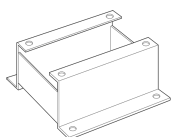
### DESCRIPTION

- Frame and scroll: painted pressed steel, with multiple fixing holes configured to allow alignment of the motor in 8 different positions relative to the outlet port.
- Three-phase AC motor with 1 operating speed and shaft turning in ball bearings.
- Centrifugal impeller with forward-curved blades of zinc-coated steel, dynamically balanced (UNI ISO 1940, Point 1 – Class 6.3).
- Maximum air flow: 655 m<sup>3</sup>/h.

### CURVES

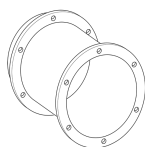


### ACCESSORIES



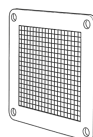
#### C-MS 30 (SUPPORTO MOTORE)

Code 22837



#### C-RA 30 (RACCORDO DI ASPIRAZIONE)

Code 22829



#### C-GM 30 (GRIGLIA PROT.MANDATA)

Code 22816



#### C-GA 30 (GRIGLIA PROT.ASPIRAZIONE)

Code 22804



#### IRET INVERTER 2,5 M

Code 12816

### PER INFORMAZIONI / FOR INFORMATION

#### ITALY

Pre Sales:  
prevendita@vortice-italy.com  
After Sales:  
postvendita@vortice-italy.com

#### UNITED KINGDOM & REP. OF

#### IRELAND

Sales Dept:  
sales@vortice.ltd.uk  
Technical Dept:  
technical@vortice.ltd.uk

#### OTHER COUNTRIES

Sales Dept:  
export@vortice-italy.com  
After Sales:  
after-sales@vortice-italy.com