

# Technical Data Sheet

CODE 30337

## C 46/4 T E

Centrifugal fans



### Certifications

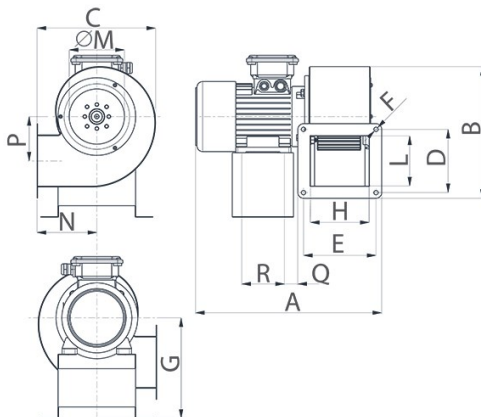
CE CE

EAC EAC

### TECHNICAL AND PERFORMANCE DATA

Frequency (Hz)	50	Voltage (V)	400
Insulation class	I°	Weight (Kg)	61.0
Max absorbed current (A)	5.50	Max airflow (l/s)	1847
Max absorbed power (W)	3400	Max airflow (m³/h)	6650
Max ambient temperature for continuous operation (°C)	30	Max pressure (mmH2O)	83
Motor ATEX marking	55	Max pressure (Pa)	814
Number of phases (Ph)	3	RPM	1400
Number of poles	4	Sound pressure Lp [dB (A)] at 3 m	76,5

### DIMENSIONS



Dimension Q (mm)	27
Dimension R (mm)	270
Size A (mm)	592
Size B (mm)	675
Size C (mm)	566
Size D (mm)	306
Size E (mm)	265
Size F (mm)	11,5
Size G (mm)	442
Size H (mm)	236
Size L (mm)	277
Size M (mm)	∅ 288
Size N (mm)	250
Size P (mm)	244,5

### PER INFORMAZIONI / FOR INFORMATION

#### ITALY

Pre Sales:

prevendita@vortice-italy.com

After Sales:

postvendita@vortice-italy.com

#### UNITED KINGDOM & REP. OF

IRELAND

Sales Dept:

sales@vortice.ltd.uk

Technical Dept:

technical@vortice.ltd.uk

#### OTHER COUNTRIES

Sales Dept:

export@vortice-italy.com

After Sales:

after-sales@vortice-italy.com

# Technical Data Sheet

CODE 30337

## C 46/4 T E

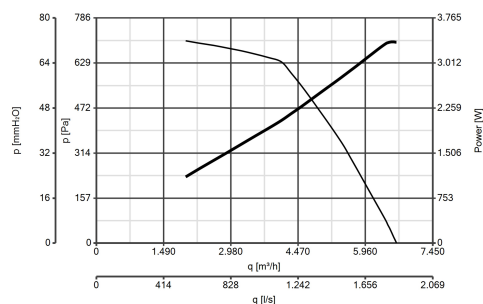
Centrifugal fans



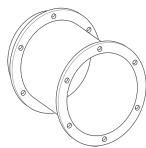
### DESCRIPTION

- Frame and scroll: painted pressed steel, with multiple fixing holes configured to allow alignment of the motor in 8 different positions relative to the outlet port.
- Three-phase AC motor with 1 operating speed and shaft turning in ball bearings.
- Centrifugal impeller with forward-curved blades of zinc-coated steel, dynamically balanced (UNI ISO 1940, Point 1 – Class 6.3).
- Maximum air flow: 6800 m<sup>3</sup>/h.

### CURVES

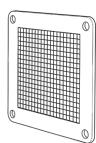


### ACCESSORIES



**C-RA 46  
(RACCORDO DI  
ASPIRAZIONE)**

Code 22835



**C-GM 46  
(GRIGLIA  
PROT.MANDATA)**

Code 22822



**C-GA 46  
(GRIGLIA  
PROT.ASPIRAZIONE)**

Code 22808



**IRET INVERTER  
8 M**

Code 12821

### PER INFORMAZIONI / FOR INFORMATION

#### ITALY

Pre Sales:  
prevendita@vortice-italy.com  
After Sales:  
postvendita@vortice-italy.com

#### UNITED KINGDOM & REP. OF

#### IRELAND

Sales Dept:  
sales@vortice.ltd.uk  
Technical Dept:  
technical@vortice.ltd.uk

#### OTHER COUNTRIES

Sales Dept:  
export@vortice-italy.com  
After Sales:  
after-sales@vortice-italy.com