

# Technical Data Sheet

CODE 30951

## C 15/2 T

Centrifugal fans



### Certifications

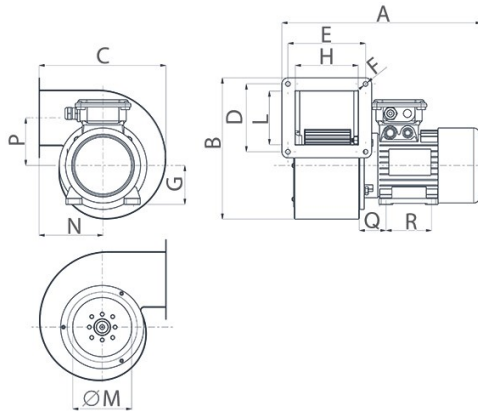
CE CE

EAC EAC

### TECHNICAL AND PERFORMANCE DATA

Absorbed current at 230 V (A)	0,60	Motor ATEX marking	55
Absorbed current at 400 V (A)	0,35	Number of poles	2
Frequency (Hz)	50	Voltage (V)	230/400
Insulation class	I°	Weight (Kg)	3,3
IP	55	Max airflow (l/s)	119,4
Max absorbed current (A)	0,60	Max airflow (m <sup>3</sup> /h)	430
Max absorbed power (W)	160	Max pressure (mmH2O)	43
Max ambient temperature for continuous operation (°C)	50	Max pressure (Pa)	422
Max temperature of exhaust air (continuous operation)	50	RPM	2800
		Sound pressure Lp [dB (A)] at 3 m	59

### DIMENSIONS



Dimension Q (mm)	36
Dimension R (mm)	71
Size A (mm)	281
Size B (mm)	234
Size C (mm)	206
Size D (mm)	108
Size E (mm)	100
Size F (mm)	7
Size G (mm)	56
Size H (mm)	83
Size L (mm)	88
Size M (mm)	∅ 108
Size N (mm)	99
Size P (mm)	79

### PER INFORMAZIONI / FOR INFORMATION

#### ITALY

Pre Sales:

prevendita@vortice-italy.com

After Sales:

postvendita@vortice-italy.com

#### UNITED KINGDOM & REP. OF

IRELAND

Sales Dept:

sales@vortice.ltd.uk

Technical Dept:

technical@vortice.ltd.uk

#### OTHER COUNTRIES

Sales Dept:

export@vortice-italy.com

After Sales:

after-sales@vortice-italy.com

# Technical Data Sheet

CODE 30951

**C 15/2 T**

Centrifugal fans



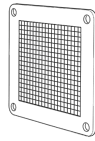
## DESCRIPTION

- Frame and scroll: painted pressed steel, with multiple fixing holes configured to allow alignment of the motor in 8 different positions relative to the outlet port.
- Three-phase AC motor with 1 operating speed and shaft turning in ball bearings.
- Centrifugal impeller with forward-curved blades of zinc-coated steel, dynamically balanced (UNI ISO 1940, Point 1 – Class 6.3).
- Maximum air flow: 430 m<sup>3</sup>/h.

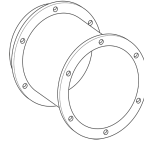
## ACCESSORIES



**C-GA 15**  
**(GRIGLIA**  
**PROT.ASPIRAZIONE)**  
Code 22802



**C-GM 15**  
**(GRIGLIA**  
**PROT.MANDATA)**  
Code 22812



**C-RA 15**  
**(RACCORDO DI**  
**ASPIRAZIONE)**  
Code 22826



**IRET INVERTER**  
**2,5 M**  
Code 12816

## PER INFORMAZIONI / FOR INFORMATION

ITALY  
Pre Sales:  
prevendita@vortice-italy.com  
After Sales:  
postvendita@vortice-italy.com

UNITED KINGDOM & REP. OF  
IRELAND  
Sales Dept:  
sales@vortice.ltd.uk  
Technical Dept:  
technical@vortice.ltd.uk

OTHER COUNTRIES  
Sales Dept:  
export@vortice-italy.com  
After Sales:  
after-sales@vortice-italy.com