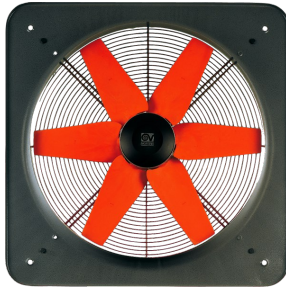


# Technical Data Sheet

CODE 40356

## E 254 T

Low-pressure plate axial fans



### Certifications

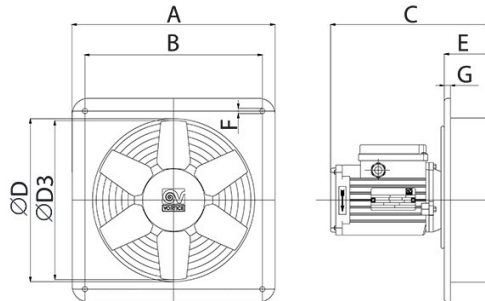
CE CE

EAC EAC

### TECHNICAL AND PERFORMANCE DATA

Absorbed current at 220 V (A)	0,35	Motor ATEX marking	44
Absorbed current at 240 V (A)	0,40	Nominal diameter (mm)	250
Absorbed current at 380 V (A)	0,20	Number of poles	4
Absorbed current at 415 V (A)	0,23	Voltage (V)	220/380 240/415
Absorbed power at 220-380 V (W)	55	Weight (Kg)	3
Absorbed power at 240-415 V (W)	70	Max airflow (l/s)	277,8
Frequency (Hz)	50	Max airflow (m <sup>3</sup> /h)	1000
Insulation class	1°	Max pressure (mmH <sub>2</sub> O)	7,3
Max absorbed current (A)	0,40	Max pressure (Pa)	71
Max absorbed power (W)	70	RPM	1400
Max ambient temperature for continuous operation (°C)	55	Sound pressure Lp [dB (A)] at 3 m	53

### DIMENSIONS



Ø (mm)	250
Size A (mm)	320
Size B (mm)	280
Size C (mm)	201
Size D (mm)	Ø
	256
Size D3 (mm)	Ø
	250
Size E (mm)	68
Size F (mm)	8
Size G (mm)	10

### PER INFORMAZIONI / FOR INFORMATION

#### ITALY

Pre Sales:

prevendita@vortice-italy.com

After Sales:

postvendita@vortice-italy.com

#### UNITED KINGDOM & REP. OF

IRELAND

Sales Dept:

sales@vortice.ltd.uk

Technical Dept:

technical@vortice.ltd.uk

#### OTHER COUNTRIES

Sales Dept:

export@vortice-italy.com

After Sales:

after-sales@vortice-italy.com

# Technical Data Sheet

CODE 40356

## E 254 T

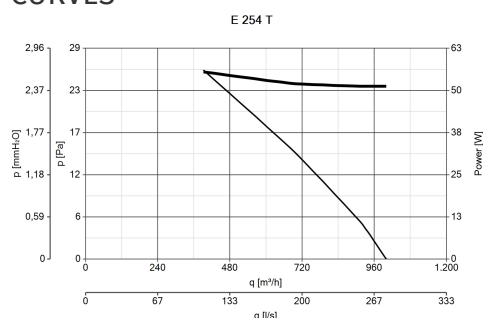
Low-pressure plate axial fans



### DESCRIPTION

- Nominal diameter 250 mm
- Wall-mounting panel manufactured from phosphated pressed steel, polyester powder coated with hammered effect finish, guaranteeing long-term resistance to atmospheric agents.
- Ventilation port fashioned in one piece with the panel and gauged to optimize air flow.
- Protective grille (in accordance with UNI ISO 13857 standard) combining the function of motor bracket, made of electrically welded steel with epoxy paint finish, colour black. Easy removal simplifies maintenance and cleaning of the fan.
- 1 speed asynchronous three-phase AC motor with shaft turning in double shielded ball bearings, insulation class F.
- Maximum air flow: 1,000 m<sup>3</sup>/h.
- Impeller with 6 wing profile blades keyed to a diecast aluminium hub and dynamically balanced (UNI ISO 1940 – Balancing class 6.3), optimized to deliver maximum performance and low noise levels, moulded from filled polypropylene for superior dimensional stability and resistance to atmospheric agents.
- Vortice speed controller.

### CURVES



### ACCESSORIES



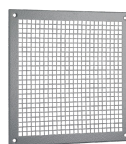
#### IRT 15

Code 12923



#### PGR 250 (PERSIANA GRAVITA')

Code 50150



#### TRA 250 (TELAIO CON RETE ANTINF.)

Code 51150



#### DPU 250

#### (DISTANZIATORE) 2,5 M

PER INFORMAZIONI / FOR INFORMATION



#### IRET INVERTER

ITALY

Pre Sales:  
prevendita@vortice-italy.com  
After Sales:  
postvendita@vortice-italy.com

UNITED KINGDOM & REP. OF

IRELAND

Sales Dept:  
sales@vortice.ltd.uk  
Technical Dept:  
technical@vortice.ltd.uk

OTHER COUNTRIES

Sales Dept:  
export@vortice-italy.com  
After Sales:  
after-sales@vortice-italy.com