

# Technical Data Sheet

CODE 42260

## A-E 404 M

Compact plate axial fans



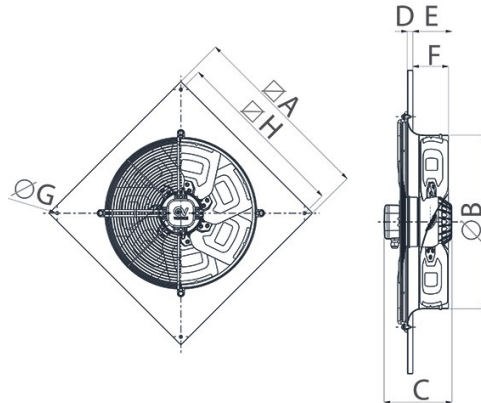
### Certifications



### TECHNICAL AND PERFORMANCE DATA

Frequency (Hz)	50/60*	Voltage (V)	220-240
Insulation class	I°	Weight (Kg)	9.3
IP	54	Max airflow (l/s)	1084
Max absorbed current (A)	1,34	Max airflow (m³/h)	3904
Max absorbed power (W)	309	Max pressure (Pa)	174
Max ambient temperature for continuous operation (°C)	50	Max pressure at Max speed (mmH2O)	17.7
Motor ATEX marking	54	RPM	1400
Nominal diameter (mm)	400	Sound power Lw [dB(A)]	76.1
Number of phases (Ph)	1	Sound pressure at 1m calculated in free field Lp [dB(A)]	65.1
Number of poles	4	Sound pressure at 3m calculated in free field Lp [dB(A)]	55.6

### DIMENSIONS



Size A (mm)	510
Size B (mm)	406
Size C (mm)	200
Size D (mm)	12
Size E (mm)	108
Size F (mm)	88
Size G (mm)	12
Size H (mm)	430

### PER INFORMAZIONI / FOR INFORMATION

#### ITALY

Pre Sales:

[prevendita@vortice-italy.com](mailto:prevendita@vortice-italy.com)

After Sales:

[postvendita@vortice-italy.com](mailto:postvendita@vortice-italy.com)

#### UNITED KINGDOM & REP. OF

IRELAND

Sales Dept:

[sales@vortice.ltd.uk](mailto:sales@vortice.ltd.uk)

Technical Dept:

[technical@vortice.ltd.uk](mailto:technical@vortice.ltd.uk)

#### OTHER COUNTRIES

Sales Dept:

[export@vortice-italy.com](mailto:export@vortice-italy.com)

After Sales:

[after-sales@vortice-italy.com](mailto:after-sales@vortice-italy.com)

# Technical Data Sheet

CODE 42260

## A-E 404 M

Compact plate axial fans



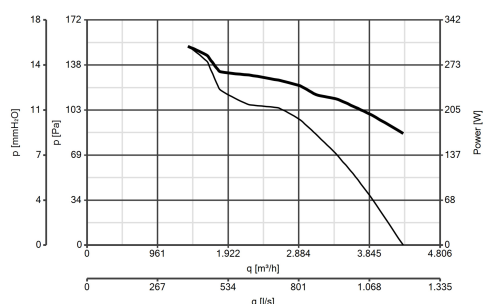
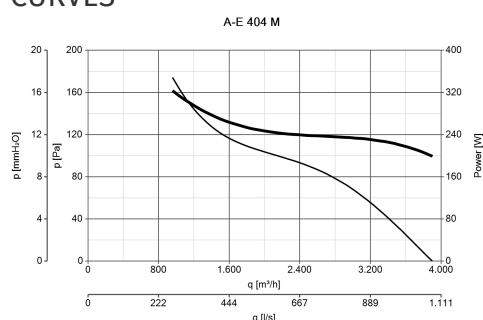
### DESCRIPTION

- Nominal diameter 400 mm
- Panels made of pressed steel, phosphated and epoxy powder coated with hammered effect finish, guaranteeing long-term resistance to atmospheric agents.
- Ventilation port fashioned in one piece with the panel, gauged to optimize air flow, aerodynamically contoured and elongated to optimize performance and facilitate connection to the relative duct.
- Protective grille (in accordance with UNI ISO 13857 standard) combining the function of motor bracket, made of electrically welded steel with epoxy paint finish, colour black. Easy removal simplifies

maintenance and cleaning of the fan.

- 1 speed single phase AC motor of external rotor type designed to minimize axial dimensions, with shaft turning in ball bearings, insulation class F, thermal overload protection.
- Maximum air flow 4063 m<sup>3</sup>/h
- Dynamically balanced impeller (UNI ISO 1940, Point 1 - Class 6.3); 4 pressed steel blades, electrolytically galvanized and polyester powder-coated, colour black.
- Vortice speed controller.

### CURVES



### ACCESSORIES



**IREM 3 CD**  
**99250080**

Code 12931



**IRM 30**

Code 12921



**DPU 400**  
**(Distanziatore)**

Code 52451



**PGR 400**  
**(Persiana**  
**Gravita')**

PER INFORMAZIONI / FOR INFORMATION



**TRA 400**  
**(Telaio con**  
**Rete Antinf.)**



**IREM INVERTER**  
**4 M**

Code 12815

ITALY

Pre Sales:  
prevendita@vortice-italy.com  
After Sales:  
postvendita@vortice-italy.com

UNITED KINGDOM & REP. OF

IRELAND  
Sales Dept:  
sales@vortice.ltd.uk  
Technical Dept:  
technical@vortice.ltd.uk

OTHER COUNTRIES

Sales Dept:  
export@vortice-italy.com  
After Sales:  
after-sales@vortice-italy.com