

Technical Data Sheet

CODE 42307

A-E 454 M

Compact plate axial fans



Certifications

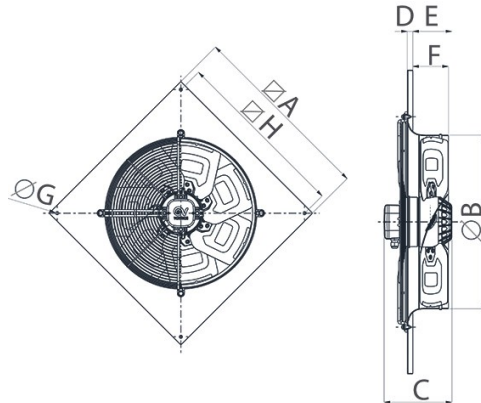
CE CE

EAC EAC

TECHNICAL AND PERFORMANCE DATA

Frequency (Hz)	50/60*	Voltage (V)	220-240
Insulation class	I°	Weight (Kg)	15.0
IP	54	Max airflow (l/s)	1388
Max absorbed current (A)	1.19	Max airflow (m³/h)	4998
Max absorbed power (W)	270	Max pressure (Pa)	97,6
Max ambient temperature for continuous operation (°C)	50	Max pressure at Max speed (mmH2O)	9.95
Motor ATEX marking	54	RPM	1400
Nominal diameter (mm)	450	Sound power Lw [dB(A)]	75.3
Number of phases (Ph)	1	Sound pressure at 1m calculated in free field Lp [dB(A)]	64.3
Number of poles	4	Sound pressure at 3m calculated in free field Lp [dB(A)]	54.8

DIMENSIONS



Size A (mm)	630
Size B (mm)	455
Size C (mm)	206
Size D (mm)	15
Size E (mm)	100
Size F (mm)	85
Size G (mm)	12
Size H (mm)	530

PER INFORMAZIONI / FOR INFORMATION

ITALY

Pre Sales:

prevendita@vortice-italy.com

After Sales:

postvendita@vortice-italy.com

UNITED KINGDOM & REP. OF

IRELAND

Sales Dept:

sales@vortice.ltd.uk

Technical Dept:

technical@vortice.ltd.uk

OTHER COUNTRIES

Sales Dept:

export@vortice-italy.com

After Sales:

after-sales@vortice-italy.com

Technical Data Sheet

CODE 42307

A-E 454 M

Compact plate axial fans



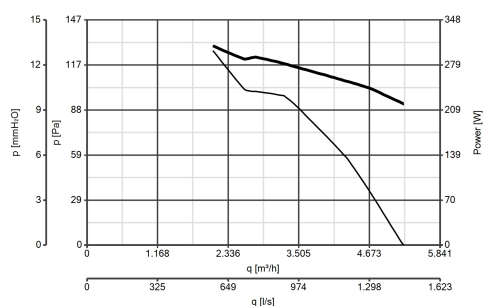
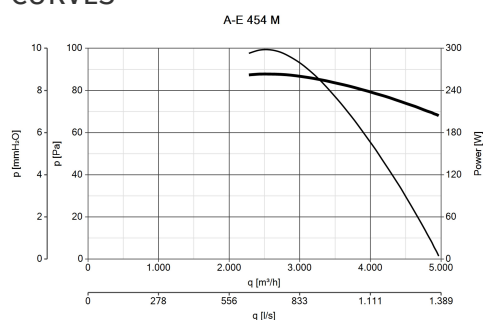
DESCRIPTION

- Nominal diameter 450 mm
- Panels made of pressed steel, phosphated and epoxy powder coated with hammered effect finish, guaranteeing long-term resistance to atmospheric agents.
- Ventilation port fashioned in one piece with the panel, gauged to optimize air flow, aerodynamically contoured and elongated to optimize performance and facilitate connection to the relative duct.
- Protective grille (in accordance with UNI ISO 13857 standard) combining the function of motor bracket, made of electrically welded steel with epoxy paint finish, colour black. Easy removal simplifies

maintenance and cleaning of the fan.

- 1 speed single phase AC motor of external rotor type designed to minimize axial dimensions, with shaft turning in ball bearings, insulation class F, thermal overload protection.
- Maximum air flow 5168 m³/h
- Dynamically balanced impeller (UNI ISO 1940, Point 1 - Class 6.3); 4 pressed steel blades, electrolytically galvanized and polyester powder-coated, colour black.
- Vortice speed controller.

CURVES



ACCESSORIES



**PGR 450/500
(PERSIANA
GRAVITA')**

Code 50550



**TRA 450/500
(TELAIO CON
RETE ANTINF.)**

Code 51550



**IREM INVERTER
4 M**

Code 12815

PER INFORMAZIONI / FOR INFORMATION

ITALY

Pre Sales:
prevendita@vortice-italy.com
After Sales:
postvendita@vortice-italy.com

UNITED KINGDOM & REP. OF

IRELAND

Sales Dept:
sales@vortice.ltd.uk
Technical Dept:
technical@vortice.ltd.uk

OTHER COUNTRIES

Sales Dept:
export@vortice-italy.com
After Sales:
after-sales@vortice-italy.com