

# Technical Data Sheet

CODE 42316

## A-E 504 M

Compact plate axial fans



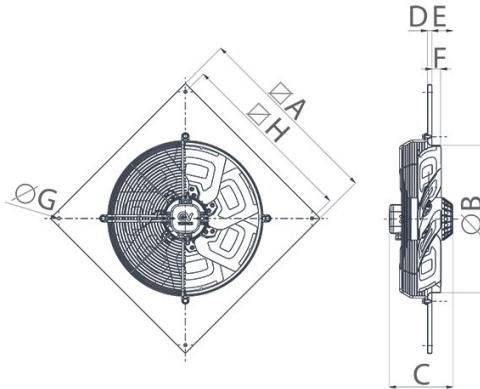
### Certifications



### TECHNICAL AND PERFORMANCE DATA

Frequency (Hz)	50/60*	Voltage (V)	220-240
Insulation class	I°	Weight (Kg)	13,2
IP	54	Max airflow (l/s)	1844
Max absorbed current (A)	2,12	Max airflow (m³/h)	6639
Max absorbed power (W)	482	Max pressure (Pa)	186
Max ambient temperature for continuous operation (°C)	50	Max pressure at Max speed (mmH2O)	19,0
Motor ATEX marking	54	RPM	1400
Nominal diameter (mm)	500	Sound power Lw [dB(A)]	79,5
Number of phases (Ph)	1	Sound pressure at 1m calculated in free field Lp [dB(A)]	68,5
Number of poles	4	Sound pressure at 3m calculated in free field Lp [dB(A)]	59,0

### DIMENSIONS



Size A (mm)	630
Size B (mm)	507
Size C (mm)	218
Size D (mm)	15
Size E (mm)	72
Size F (mm)	30
Size G (mm)	11
Size H (mm)	530

### PER INFORMAZIONI / FOR INFORMATION

#### ITALY

Pre Sales:  
prevendita@vortice-italy.com  
After Sales:  
postvendita@vortice-italy.com

#### UNITED KINGDOM & REP. OF

#### IRELAND

Sales Dept:  
sales@vortice.ltd.uk  
Technical Dept:  
technical@vortice.ltd.uk

#### OTHER COUNTRIES

Sales Dept:  
export@vortice-italy.com  
After Sales:  
after-sales@vortice-italy.com

# Technical Data Sheet

CODE 42316

## A-E 504 M

Compact plate axial fans



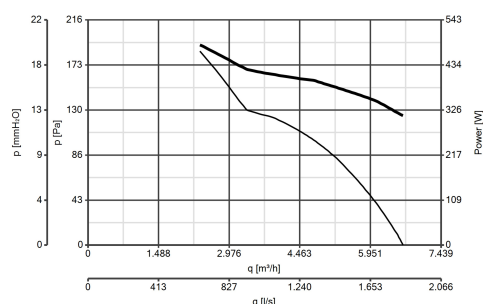
### DESCRIPTION

- Nominal diameter 500 mm
- Panels made of pressed steel, phosphated and epoxy powder coated with hammered effect finish, guaranteeing long-term resistance to atmospheric agents.
- Ventilation port fashioned in one piece with the panel, gauged to optimize air flow, aerodynamically contoured and elongated to optimize performance and facilitate connection to the relative duct.
- Protective grille (in accordance with UNI ISO 13857 standard) combining the function of motor bracket, made of electrically welded steel with epoxy paint finish, colour black. Easy removal simplifies

maintenance and cleaning of the fan.

- 1 speed single phase AC motor of external rotor type designed to minimize axial dimensions, with shaft turning in ball bearings, insulation class F, thermal overload protection.
- Maximum air flow 6639 m<sup>3</sup>/h
- Dynamically balanced impeller (UNI ISO 1940, Point 1 - Class 6.3); 4 pressed steel blades, electrolytically galvanized and polyester powder-coated, colour black.
- Vortice speed controller.

### CURVES



### ACCESSORIES



**IREM 3 CD**  
**99250080**

Code 12931



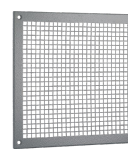
**IREM INVERTER**  
**4 M**

Code 12815



**PGR 450/500**  
**(PERSIANA**  
**GRAVITA')**

Code 50550



**TRA 450/500**  
**(TELAIO CON**  
**RETE ANTINF.)**

Code 51550

### PER INFORMAZIONI / FOR INFORMATION

ITALY

Pre Sales:  
prevendita@vortice-italy.com  
After Sales:  
postvendita@vortice-italy.com

UNITED KINGDOM & REP. OF

IRELAND

Sales Dept:  
sales@vortice.ltd.uk  
Technical Dept:  
technical@vortice.ltd.uk

OTHER COUNTRIES

Sales Dept:  
export@vortice-italy.com  
After Sales:  
after-sales@vortice-italy.com