

Technical Data Sheet

CODE 45266

VORT QBK-SAL KC M 315

Cabinet fans designed to extract hot, humid and dirty air



Certifications

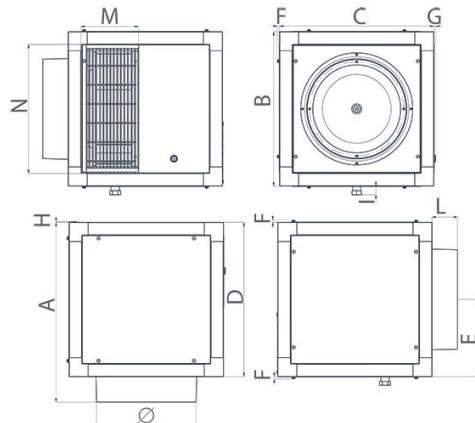
CE CE

EAC EAC

TECHNICAL AND PERFORMANCE DATA

Absorbed current at 220 V (A)	1,30	Nominal diameter (mm)	315
Absorbed current at 240 V (A)	1,23	Number of poles	4
Absorbed power at 220 V (W)	275	Voltage (V)	220-240
Absorbed power at 240 V (W)	285	Weight (Kg)	33
Frequency (Hz)	50	Max airflow (l/s)	497
Insulation class	I°	Max airflow (m ³ /h)	1790
IP	55	Max pressure (mmH ₂ O)	36,1
Max ambient temperature for continuous operation (°C)	70	Max pressure (Pa)	354
Max temperature of exhaust air (continuous operation)	120	RPM	1365
Motor ATEX marking	55	Sound power L _w [dB(A)]	70,2
Motor class	F	Sound pressure L _p [dB (A)] at 3 m	49,7

DIMENSIONS



Size A (mm)	566
Size B (mm)	485
Size C (mm)	485
Size D (mm)	485
Size E (mm)	243
Size F (mm)	8
Size G (mm)	6
Size H (mm)	3
Size I (mm)	28
Size L (mm)	82
Size M (mm)	180
Size N (mm)	405
Size O (mm)	∅ 311

PER INFORMAZIONI / FOR INFORMATION

ITALY

Pre Sales:
prevendita@vortice-italy.com
After Sales:
postvendita@vortice-italy.com

UNITED KINGDOM & REP. OF

IRELAND

Sales Dept:
sales@vortice.ltd.uk
Technical Dept:
technical@vortice.ltd.uk

OTHER COUNTRIES

Sales Dept:
export@vortice-italy.com
After Sales:
after-sales@vortice-italy.com

Technical Data Sheet

CODE 45266

VORT QBK-SAL KC M 315

Cabinet fans designed to extract hot, humid and dirty air



DESCRIPTION

- Cabinet: frames made of aluminium profiles; sandwich panels made of zinc-coated, 0,6 mm thick steel plates, lined with 23 mm thick rockwool.
- Circular part of inlet.
- Rectangular outlet. A specific optional adapter allows connection to circular pipes.
- Nominal diameter 315 mm.
- Single-phase ball bearings AC motor, located outside the airflow and separated from the impeller by a metal panel.
- Backward curved centrifugal impeller, dynamically balanced (ISO 1940, 6.3 class).
- Motor protection guard made of galvanised steel.
- Inspection panel with handle and triangular key.
- Condensate tray made of galvanised steel with drain point and blank nut for draining.
- Temperature of extracted air up to 120°C.
- Maximum environment air temperature: 70 ° C (if controlled by IRM5 2B controller code 12861, the maximum temperature drops to 55 ° C).
- Speed adjustable through Vortice's speed controllers.

ACCESSORIES



TETTO PARAPIOGGIA 315

Code 24192



RACCORDO RETTANGOLARE TONDO 315

Code 24184



TETTO PROTEZIONE SCARICO 315

Code 24196



ANTIVIBRANTI 315/355

Code 24188



QBK-HE RF 315

Code 25063



SWT 16

Code 25059



IREM INVERTER 4 M

Code 12815



PER INFORMAZIONI / FOR INFORMATION

ITALY

Pre Sales:
prevendita@vortice-italy.com
After Sales:
postvendita@vortice-italy.com

UNITED KINGDOM & REP. OF IRELAND

Sales Dept:
sales@vortice.ltd.uk
Technical Dept:
technical@vortice.ltd.uk

OTHER COUNTRIES

Sales Dept:
export@vortice-italy.com
After Sales:
after-sales@vortice-italy.com