

Technical Data Sheet

CODE 45276

VORT QBK-SAL KC M 400

Cabinet fans designed to extract hot, humid and dirty air



Certifications

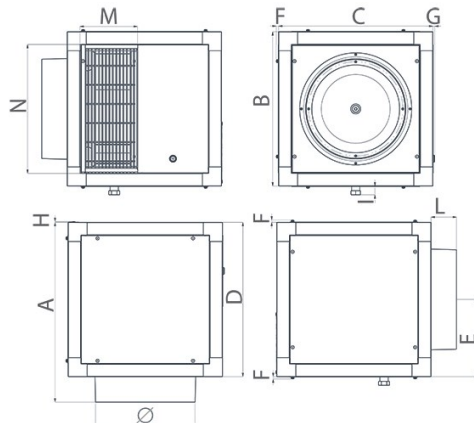
CE CE

EAC EAC

TECHNICAL AND PERFORMANCE DATA

Absorbed current at 220 V (A)	5,19	Motor class	F
Absorbed current at 240 V (A)	4,97	Nominal diameter (mm)	400
Absorbed power at 220 V (W)	1130	Number of poles	4
Absorbed power at 240 V (W)	1190	Voltage (V)	220-240
Condensate draining pipe \varnothing (mm)	400	Weight (Kg)	68
Frequency (Hz)	50	Max airflow (l/s)	1750
Insulation class	I ^o	Max airflow (m ³ /h)	6300
IP	55	Max pressure (mmH2O)	59.4
Max ambient temperature for continuous operation (°C)	60	Max pressure (Pa)	582
Max temperature of exhaust air (continuous operation)	120	RPM	1325
Motor ATEX marking	55	Sound power Lw [dB(A)]	80.6
		Sound pressure Lp [dB (A)] at 3 m	60.1

DIMENSIONS



Size A (mm)	731
Size B (mm)	650
Size C (mm)	650
Size D (mm)	650
Size E (mm)	325
Size F (mm)	8
Size G (mm)	6
Size H (mm)	3
Size I (mm)	28
Size L (mm)	82
Size M (mm)	290
Size N (mm)	570
Size O (mm)	\varnothing
	398

PER INFORMAZIONI / FOR INFORMATION

ITALY

Pre Sales:

prevendita@vortice-italy.com

After Sales:

postvendita@vortice-italy.com

UNITED KINGDOM & REP. OF

IRELAND

Sales Dept:

sales@vortice.ltd.uk

Technical Dept:

technical@vortice.ltd.uk

OTHER COUNTRIES

Sales Dept:

export@vortice-italy.com

After Sales:

after-sales@vortice-italy.com

Technical Data Sheet

CODE 45276

VORT QBK-SAL KC M 400

Cabinet fans designed to extract hot, humid and dirty air



DESCRIPTION

- Cabinet: frames made of aluminium profiles; sandwich panels made of zinc-coated, 0,6 mm thick steel plates, lined with 23 mm thick rockwool.
- Circular part of inlet.
- Rectangular outlet. A specific optional adapter allows connection to circular pipes.
- Nominal diameter 400 mm.
- Single-phase ball bearings AC motor, located outside the airflow and separated from the impeller by a metal panel.
- Backward curved centrifugal impeller, dynamically balanced (ISO 1940, 6.3 class).
- Motor protection guard made of galvanised steel.
- Inspection panel with handle and triangular key.
- Condensate tray made of galvanised steel with drain point and blank nut for draining.
- Temperature of extracted air up to 120°C.
- Maximum environment air temperature: 60 ° C (if controlled by IRMS 7B controller code 12865, maximum temperature drops to 50 ° C).
- Speed adjustable through Vortice's speed controllers.

ACCESSORIES



TETTO PARAPIOGGIA 400

Code 24194



RACCORDO RETTANGOLARE TONDO 400

Code 24186



TETTO PROTEZIONE SCARICO 400

Code 24198



ANTIVIBRANTI 400/500/560

Code 24190



QBK-HE RF 400

Code 25065



SWT 16

Code 25059



IREM INVERTER 6 M

Code 12818



PER INFORMAZIONI / FOR INFORMATION

ITALY

Pre Sales:
prevendita@vortice-italy.com
After Sales:
postvendita@vortice-italy.com

UNITED KINGDOM & REP. OF IRELAND

Sales Dept:
sales@vortice.ltd.uk
Technical Dept:
technical@vortice.ltd.uk

OTHER COUNTRIES

Sales Dept:
export@vortice-italy.com
After Sales:
after-sales@vortice-italy.com