

Technical Data Sheet

CODE 45278

VORT QBK-SAL KC T 500

Cabinet fans designed to extract hot, humid and dirty air



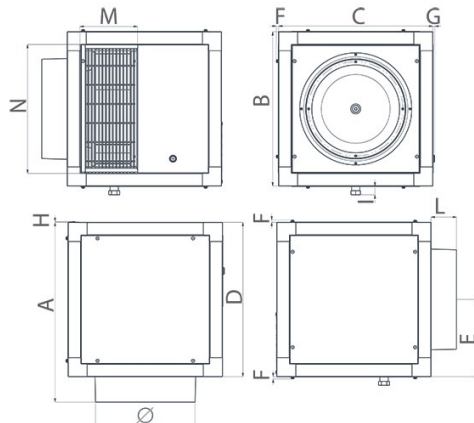
Certifications



TECHNICAL AND PERFORMANCE DATA

Absorbed current at 380 V (A)	3,65	Nominal diameter (mm)	450
Absorbed current at 415 V (A)	3,55	Number of poles	4
Absorbed power at 380 V (W)	2090	Voltage (V)	380-415
Absorbed power at 415 V (W)	2180	Weight (Kg)	80
Frequency (Hz)	50	Max airflow (l/s)	2500
Insulation class	I°	Max airflow (m³/h)	9000
IP	55	Max pressure (mmH2O)	79.5
Max ambient temperature for continuous operation (°C)	50	Max pressure (Pa)	780
Max temperature of exhaust air (continuous operation)	120	RPM	1325
Motor ATEX marking	55	Sound power Lw [dB(A)]	84,2
Motor class	H	Sound pressure Lp [dB (A)] at 3 m	63,7

DIMENSIONS



Size A (mm)	803
Size B (mm)	722
Size C (mm)	722
Size D (mm)	722
Size E (mm)	361
Size F (mm)	8
Size G (mm)	6
Size H (mm)	3
Size I (mm)	28
Size L (mm)	82
Size M (mm)	325
Size N (mm)	642
Size O (mm)	∅
	498

PER INFORMAZIONI / FOR INFORMATION

ITALY

Pre Sales:

prevendita@vortice-italy.com

After Sales:

postvendita@vortice-italy.com

UNITED KINGDOM & REP. OF

IRELAND

Sales Dept:

sales@vortice.ltd.uk

Technical Dept:

technical@vortice.ltd.uk

OTHER COUNTRIES

Sales Dept:

export@vortice-italy.com

After Sales:

after-sales@vortice-italy.com

Technical Data Sheet

CODE 45278

VORT QBK-SAL KC T 500

Cabinet fans designed to extract hot, humid and dirty air



DESCRIPTION

- Cabinet: frames made of aluminium profiles; sandwich panels made of zinc-coated, 0,6 mm thick steel plates, lined with 23 mm thick rockwool.
- Circular part of inlet.
- Rectangular outlet. A specific optional adapter allows connection to circular pipes.
- Nominal diameter 500 mm.
- Three-phase ball bearings AC motor, located outside the airflow and separated from the impeller by a metal panel.
- Backward curved centrifugal impeller, dynamically balanced (ISO 1940, 6.3 class).
- Motor protection guard made of galvanised steel.
- Inspection panel with handle and triangular key.
- Condensate tray made of galvanised steel with drain point and blank nut for draining.
- Temperature of extracted air up to 120°C.
- Maximum environment air temperature: 50 ° C (if controlled by IRT5 7 controller code 12856, the maximum temperature drops to 40 ° C).
- Speed adjustable through Vortice's speed controllers.

ACCESSORIES



TETTO PARAPIOGGIA 500

Code 24195



RACCORDO RETTANGOLARE TONDO 500

Code 24187



TETTO PROTEZIONE SCARICO 500

Code 24199



QBK-HE RF 500

Code 25066



SWT 16

Code 25059



IRET INVERTER 5 M

Code 12817



POT

Code 12828



PER INFORMAZIONI / FOR INFORMATION

ITALY

Pre Sales:
prevendita@vortice-italy.com
After Sales:
postvendita@vortice-italy.com

UNITED KINGDOM & REP. OF

IRELAND

Sales Dept:
sales@vortice.ltd.uk
Technical Dept:
technical@vortice.ltd.uk

OTHER COUNTRIES

Sales Dept:
export@vortice-italy.com
After Sales:
after-sales@vortice-italy.com