

Technical Data Sheet

CODE 60641

GORDON W 40/16" ET

Oscillating table, wall-mounting and pedestal fans



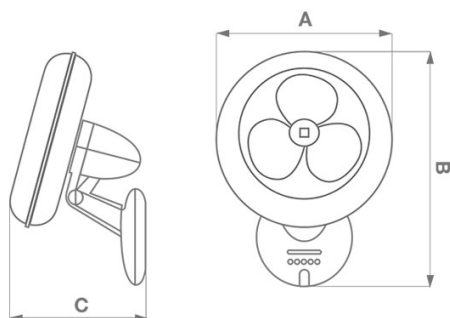
Certifications



TECHNICAL AND PERFORMANCE DATA

| | | | |
|--------------------------|---------|---------------------------------------|--------|
| Frequency (Hz) | 50 | Max airflow (m ³ /h) | 4000 |
| Insulation class | II° | Max airflow (m ³ /min) | 66,67 |
| IP | 20 | Max flow speed (m/s) | 1,61 |
| Max absorbed current (A) | 0,19 | Power in stand-by mode (W) | 0,4284 |
| Max absorbed power (W) | 40 | RPM | 1145 |
| Voltage (V) | 220-240 | Service value (m ³ /min)/W | 1,667 |
| Weight (Kg) | 3,0 | Sound power Lw [dB(A)] | 57,2 |

DIMENSIONS



| | |
|-------------|-----|
| Size A (mm) | 460 |
| Size B (mm) | 600 |
| Size C (mm) | 355 |

PER INFORMAZIONI / FOR INFORMATION

ITALY

Pre Sales:

prevendita@vortice-italy.com

After Sales:

postvendita@vortice-italy.com

UNITED KINGDOM & REP. OF

IRELAND

Sales Dept:

sales@vortice.ltd.uk

Technical Dept:

technical@vortice.ltd.uk

OTHER COUNTRIES

Sales Dept:

export@vortice-italy.com

After Sales:

after-sales@vortice-italy.com

Technical Data Sheet

CODE 60641

GORDON W 40/16" ET

Oscillating table, wall-mounting and pedestal fans



DESCRIPTION

- Material: plastic resin able to withstand aging induced by exposure to sunlight (UV-resistant), and formulated with an antistatic compound to prevent accumulation of dust.
- Nominal diameter 400 mm
- 3 speed asynchronous motor with shaft turning in self-aligning and self-lubricating bushings; thermal overload protection.
- Motor housing equipped with hinge and clamp knob for adjustment of tilt angle.
- Oscillating mechanism (angle 90°) incorporated into housing, operated by auxiliary asynchronous motor.
- Manual on/off switch and speed selector control; operating status of the fan displayed by luminous indicators located on the base.
- Equipped as standard with IR remote control for switching the fan on and off, selecting the speed, programming the delayed shutoff function (½ h to 7.5 h), and activating the "breeze" option.
- Designed for wall-mounted installation, supplied without power cord.
- Maximum air flow 4,000 m3/h
- IMQ SAFETY and IMQ PERFORMANCE certifications

PER INFORMAZIONI / FOR INFORMATION

ITALY

Pre Sales:
prevendita@vortice-italy.com
After Sales:
postvendita@vortice-italy.com

UNITED KINGDOM & REP. OF

IRELAND

Sales Dept:
sales@vortice.ltd.uk
Technical Dept:
technical@vortice.ltd.uk

OTHER COUNTRIES

Sales Dept:
export@vortice-italy.com
After Sales:
after-sales@vortice-italy.com