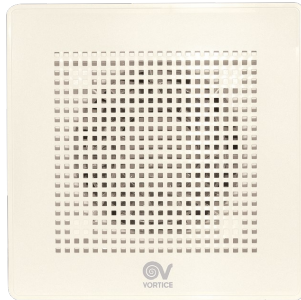


# Technical Data Sheet

CODE 11269

## ME 120/5" ES

Energy Saving wall axial fans



### Certifications



IMQ



CE



IMQ Performance

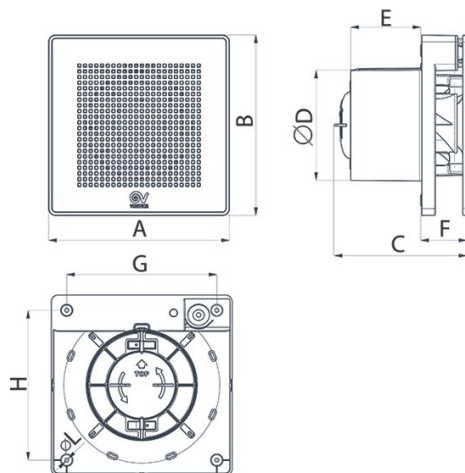


EAC

### TECHNICAL AND PERFORMANCE DATA

Frequency (Hz)	50	Airflow at 1st speed (m <sup>3</sup> /h)	130
Insulation class	II°	Max airflow at Max speed (l/s)	50
IP	45	Max airflow at Max speed (m <sup>3</sup> /h)	180
Max absorbed current at Max speed (A)	0,068	Max pressure at Max speed (mmH20)	5,8
Max absorbed current at Min speed (A)	0,040	Max pressure at Max speed (Pa)	56,9
Max absorbed power at Max speed (W)	7,0	Max RPM	2150
Max ambient temperature for continuous operation (°C)	50	Min RPM	1680
Nominal diameter (mm)	120	Pressure at 1st speed (mmH20)	3,6
Power absorbed at 1st speed (W)	3,3	Pressure at 1st speed (Pa)	35,3
Voltage (V)	230	Sound power at Min speed LWA [dB(A)]	46,7
Weight (Kg)	0,8	Sound power at Min speed LWA [dB(A)]	53,8
Airflow at 1st speed (l/s)	36,1	Sound pressure at 3m at Max speed calculated in free field Lp [dB(A)]	33,3
		Sound pressure at 3m at Min speed calculated in free field Lp [dB(A)]	26,2

### DIMENSIONS



Size A (mm)	179
Size B (mm)	179
Size C (mm)	138
Size D (mm)	∅ 118
Size E (mm)	81
Size F (mm)	42,5
Size G (mm)	152
Size H (mm)	152
Size L (mm)	∅ 3.5

### PER INFORMAZIONI / FOR INFORMATION

#### ITALY

Pre Sales:  
[prevendita@vortice-italy.com](mailto:prevendita@vortice-italy.com)  
 After Sales:  
[postvendita@vortice-italy.com](mailto:postvendita@vortice-italy.com)

#### UNITED KINGDOM & REP. OF

IRELAND  
 Sales Dept:  
[sales@vortice.ltd.uk](mailto:sales@vortice.ltd.uk)  
 Technical Dept:  
[technical@vortice.ltd.uk](mailto:technical@vortice.ltd.uk)

#### OTHER COUNTRIES

Sales Dept:  
[export@vortice-italy.com](mailto:export@vortice-italy.com)  
 After Sales:  
[after-sales@vortice-italy.com](mailto:after-sales@vortice-italy.com)

# Technical Data Sheet

CODE 11269

## ME 120/5" ES

Energy Saving wall axial fans



### DESCRIPTION

- Material: UV resistant plastic (prevents ageing caused by exposure to sunlight).
- Nominal diameter: 120 mm
- EC motor protected against thermal overload, with shaft turning in ball bearings; 2 operating speeds controlled electronically from pcb.
- Maximum air flow 130 m3/h
- Equipped with non-return damper preventing unwanted backdraught when the fan is off.
- Fixed timer: the product works for 6 minutes at maximum speed, then automatically return to minimum.
- IMQ safety certification.

### CURVES

□

### PER INFORMAZIONI / FOR INFORMATION

#### ITALY

Pre Sales:  
prevendita@vortice-italy.com  
After Sales:  
postvendita@vortice-italy.com

#### UNITED KINGDOM & REP. OF IRELAND

Sales Dept:  
sales@vortice.ltd.uk  
Technical Dept:  
technical@vortice.ltd.uk

#### OTHER COUNTRIES

Sales Dept:  
export@vortice-italy.com  
After Sales:  
after-sales@vortice-italy.com