

Technical Data Sheet

CODE 12096

VORT HR 350 AVEL

Wall-mounting residential heat recovery unit



Certifications

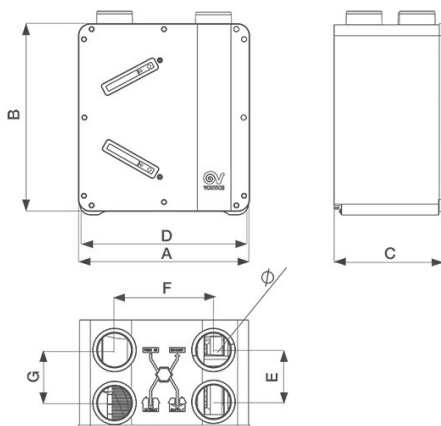


TECHNICAL AND PERFORMANCE DATA

Absorbed Current max (A)	1,4	Delivery max (l/s)	108
Absorbed Power max (W)	165	Delivery max (m³/h)	388.8
Filter class	G3	Maximum thermal efficiency (%)	91
Frequency (Hz)	50	Pressure max (mmH2O)	70.4 mm h2O
Insulation Class	I°	Pressure max (Pa)	690
IP	X2	Sound power level - radiated Lw [dB(A)]	52.9
Max ambient temperature for continuous operation (°C)	25	Sound power level exhaust inlet Lw [dB(A)]	43.9
Max Temperature of Exhaust Air (Continuous Operation)	40	Sound power level supply outlet Lw [dB(A)]	56.2
Min ambient temperature for continuous operation (°C)	0	Sound pressure level air extraction Lp [dB (A)] 3m - max speed	23.4
Voltage (V)	230	Sound pressure level air supply Lp [dB (A)] 3m - max speed	35.7
Weight (Kg)	22	Sound pressure level radiated Lp [dB (A)] 3m - max speed	32.4

DIMENSIONS

DIMENSIONI



Diameter Ø (mm)	150
Dimensione A (mm)	712
Dimensione B (mm)	845
Dimensione C (mm)	455
Dimensione D (mm)	700
Dimensione E (mm)	215
Dimensione F (mm)	410
Dimensione G (mm)	220

Technical Data Sheet

CODE 12096

VORT HR 350 AVEL

Wall-mounting residential heat recovery unit



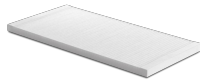
DESCRIPTION

- Plastic (PPE) enclosure
- Duct connection ports of nominal diameter 150 mm.
- 2 EC (brushless) motors with shaft turning in ball bearings, each coupled to a backward curved centrifugal impeller; 3 speeds, selectable independently at the moment of installation.
- Air flow settable between 50 m³/h and 350 m³/h.
- Very high-efficiency counter-flow heat exchanger in PS resin.
- Automatic, filtered 100% by-pass
- Integrated frost protection.
- 2 G3 filters (optional M5 and F7 filters)
- Electronic control with LCD display.
- Brackets for wall mounting included.

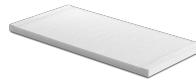
ACCESSORIES



C PIR
Code 12998



FILTER G3 AVEL
Code 22661



FILTER M5 AVEL
Code 22662



FILTER F7 AVEL
Code 22664

