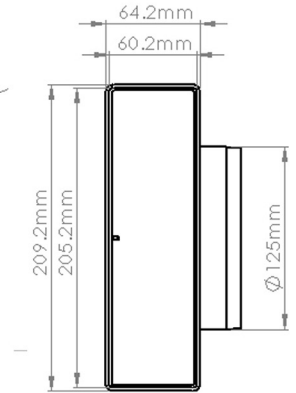
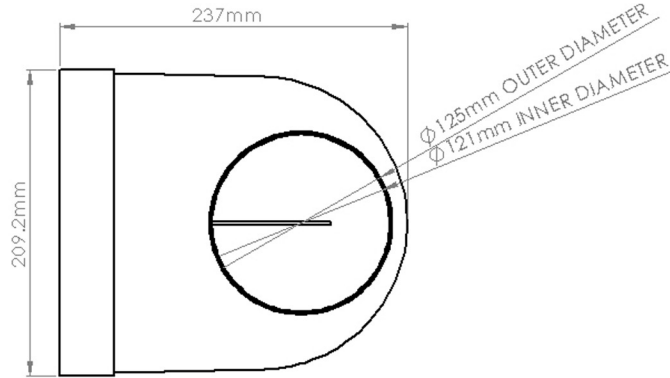


Technical Data Sheet

Code 46160

FD200 Round - Rectangular Bend 125mm ID



SPECIFICATION DETAILS

The 204x60mm Rectangular Elbow Bend with 125mm diameter Fixed Spigot Bend is manufactured from (white) High Impact Polystyrene. The 204x60mm rectangular end has a minimum free area of 11,452mm² with a female adaptor for connection outside of the System 204 duct. The 125mm diameter round end has a minimum free area of 12,266mm² with a male spigot for connection inside of the System 125 duct.

Fully compliant with SAP Appendix Q Product Characteristics Database recommendations for duct sizes used with both extract and Mechanical Heat Recovery Systems.

Manufactured in compliance with Domestic Plastic Ductwork Specification DW/154 and does meet UL94HB flammability standard.

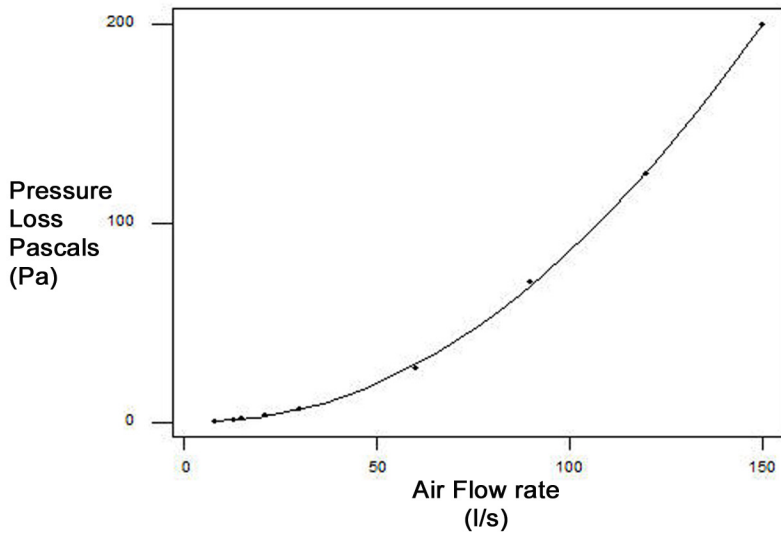
VKC5645 has been designed for use with Verplas System 204.

Size:	204mm x 60mm to 125mm Diameter
For use with:	Vortice Ducting
Box quantity:	16
Individual Weight:	255g
Colour:	White

MAX/MIN OPERATING TEMPERATURES

+ 60°C to - 15°C

PERFORMANCE CURVE



AIRFLOW

RESISTANCE

8 l/s	0.50 pa
13 l/s	1.50 pa
21 l/s	3.40 pa
30 l/s	6.90 pa
60 l/s	27.10 pa
120 l/s	125.00 pa

Vortice Limited
 Beeches House
 Eastern Avenue
 Burton Upon Trent
 DE13 0BB
 Tel: 01283 492949
 Fax: 01283 544121
 sales@vortice.ltd.uk
 www.vortice.ltd.uk