

SPECIFICATION DETAILS

The 204x60mm Rectangular Flat Channel Connector is manufactured from (white) High Impact Polystyrene and has a minimum free area of 11,452mm². It has a female adaptor for connection outside of the System 204 duct.

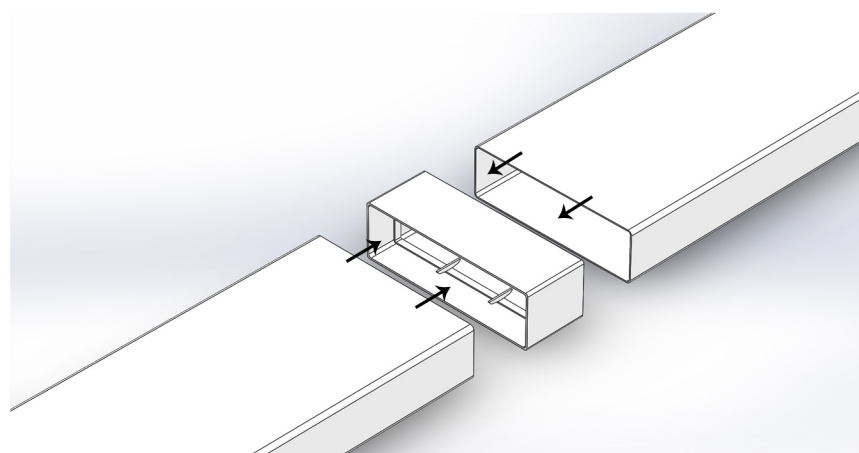
Fully compliant with SAP Appendix Q Product Characteristics Database recommendations for duct sizes used with both extract and Mechanical Heat Recovery Systems.

Manufactured in compliance with Domestic Plastic Ductwork specification DW/154 and does meet UL94HB flammability standard.

MAX/MIN OPERATING TEMPERATURES

+ 60°C to - 15°C

Size:	204mm x 60mm
For use with:	Vortice Ducting
Box quantity:	20
Individual Weight:	95g
Colour:	White



AIRFLOW

RESISTANCE

8 l/s	N/A
13 l/s	N/A
21 l/s	N/A
30 l/s	N/A
60 l/s	N/A
120 l/s	N/A