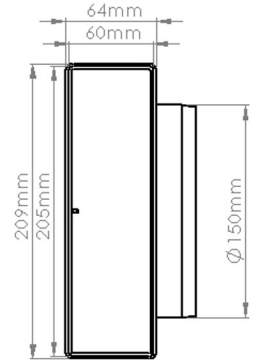
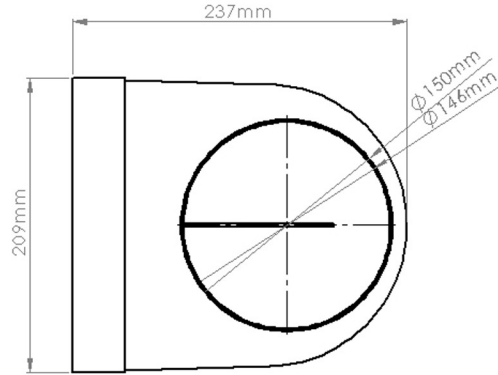


Technical Data Sheet

Code 46169

FD200 Round - Rectangular Bend 150mm ID



SPECIFICATION DETAILS

The 204x60mm Rectangular Elbow Bend with 150mm diameter Fixed Spigot Bend is manufactured from (white) High Impact Polystyrene. The 204x60mm rectangular end has a minimum free area of 11,452mm² with a female adaptor for connection outside of the System 204 duct. The 150mm diameter round end has a minimum free area of 16,798mm² with a male spigot for connection inside of the System 150 duct.

Fully compliant with SAP Appendix Q Product Characteristics Database recommendations for duct sizes used with both extract and Mechanical Heat Recovery Systems.

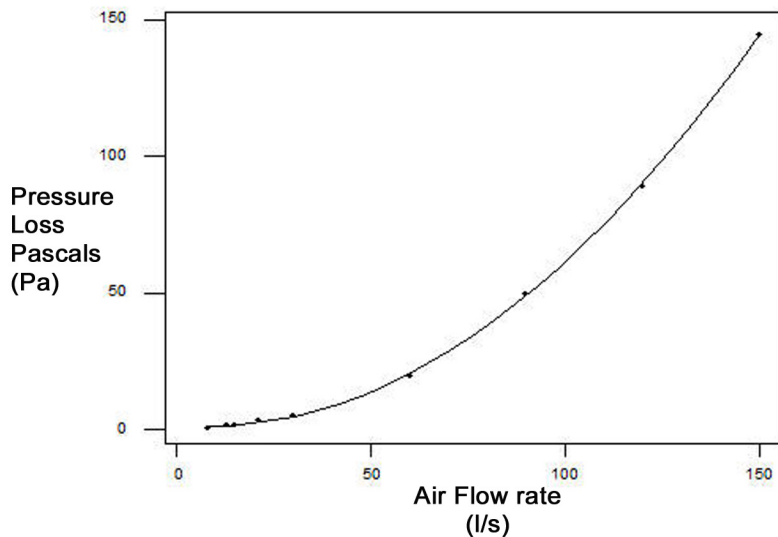
Manufactured in compliance with Domestic Plastic Ductwork

Size:	204mm x 60mm to 150mm Diameter
For use with:	Vortice Ducting
Box quantity:	16
Individual Weight:	200g
Colour:	White

MAX/MIN OPERATING TEMPERATURES

+ 60°C to - 15°C

PERFORMANCE CURVE



AIRFLOW

8 l/s
13 l/s
21 l/s
30 l/s
60 l/s
120 l/s

RESISTANCE

0.50 pa
1.70 pa
4.30 pa
5.30 pa
19.90 pa
88.90 pa

Vortice Limited
Beeches House
Eastern Avenue
Burton Upon Trent
DE13 0BB
Tel: 01283 492949
Fax: 01283 544121
sales@vortice.ltd.uk
www.vortice.ltd.uk