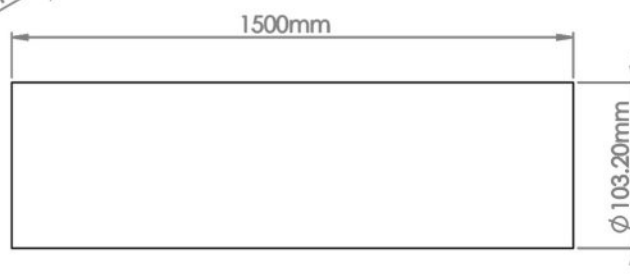
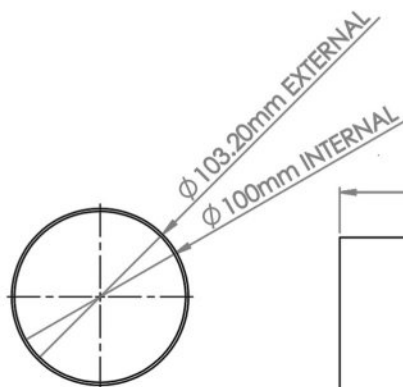


Technical Data Sheet

Code 46185

100mm x 1.5m Round Rigid Duct



SPECIFICATION DETAILS

The 100mm diameter 1.5m Round Pipe is manufactured from Rigid PVCu. The Round Pipe has a minimum free area of 7,855mm² and fits over the male spigot of the System 100 fittings.

System 100 Round Pipe is manufactured in compliance with Domestic Plastic Ductwork Specification DW/154 and will meet UL94VO flammability standard.

Round Pipe has been designed for use with Verplas System 100 Round.

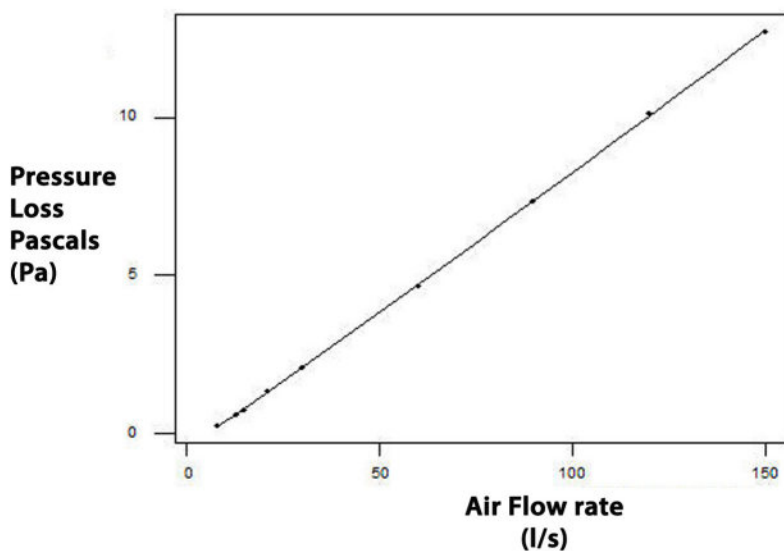
MAX/MIN OPERATING TEMPERATURES + 60°C to - 15°C

Box quantity: 12

Individual Weight: 996g

Colour: White

PERFORMANCE CURVE



AIRFLOW

RESISTANCE

8 l/s	0.23 pa
13 l/s	0.60 pa
21 l/s	1.31 pa
30 l/s	2.10 pa
60 l/s	4.65 pa
120 l/s	10.17 pa