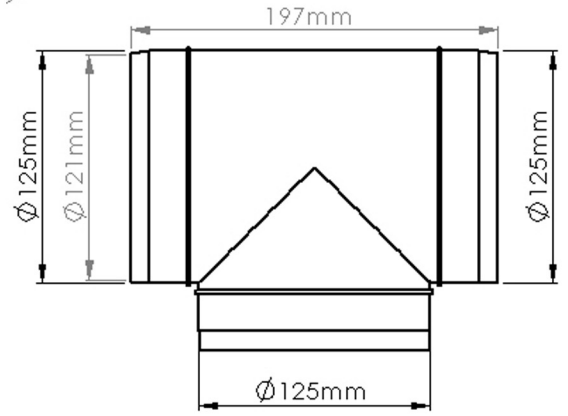
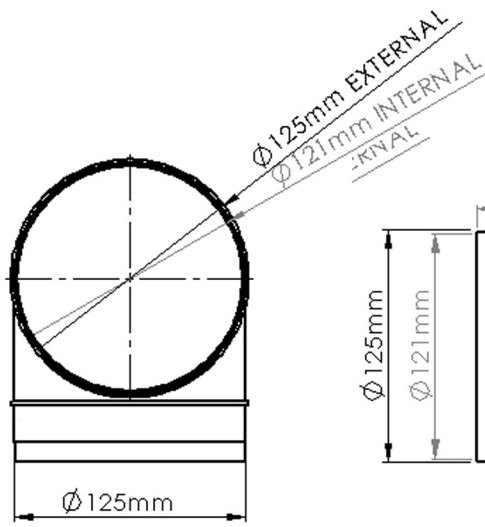
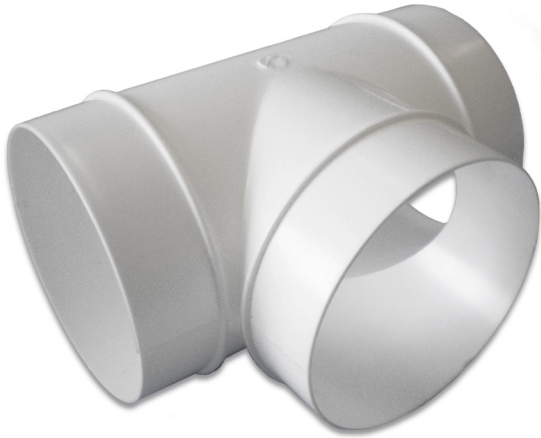


Technical Data Sheet
Code 46203
125mm Round 'T' piece



SPECIFICATION DETAILS

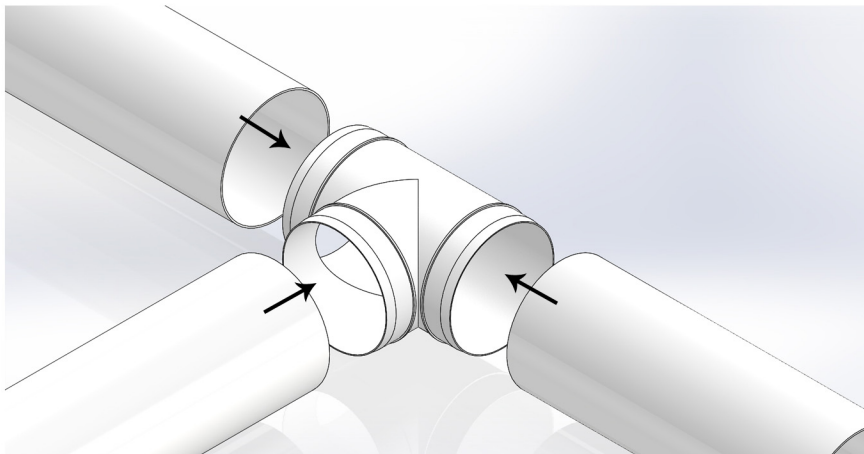
The 125mm diameter Equal T Piece is manufactured from (white) High Impact Polystyrene and has a minimum free area of 11,613mm². It has a male spigot for connection inside of the System 125 duct.

Fully compliant with SAP Appendix Q Product Characteristics Database recommendations for duct sizes used with both extract and Mechanical Heat Recovery Systems.

Manufactured in compliance with Domestic Plastic Ductwork Specification DW/154 and does meet UL94HB flammability standard.

MAX/MIN OPERATING TEMPERATURES
 + 60°C to - 15°C

Size:	125mm Diameter
For use with:	Vortice Ducting
Box quantity:	16
Individual Weight:	174g
Colour:	White



AIRFLOW	RESISTANCE
8 l/s	N/A
13 l/s	N/A
21 l/s	N/A
30 l/s	N/A
60 l/s	N/A
120 l/s	N/A

Vortice Limited
 Beeches House
 Eastern Avenue
 Burton Upon Trent
 DE13 0BB
 Tel: 01283 492949
 Fax: 01283 544121
 sales@vortice.ltd.uk
 www.vortice.ltd.uk