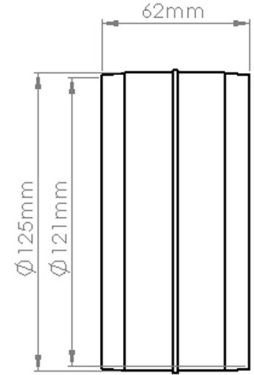
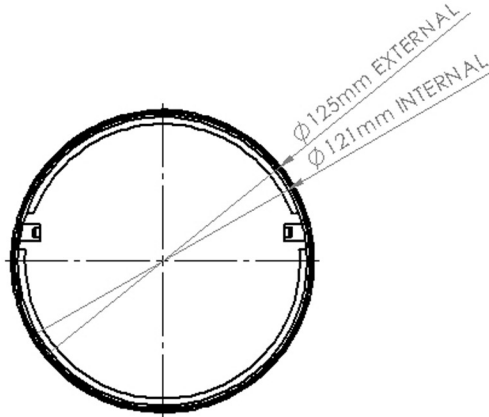


**Technical Data Sheet**  
**Code 46205**  
**125mm Round Connector**



**SPECIFICATION DETAILS**

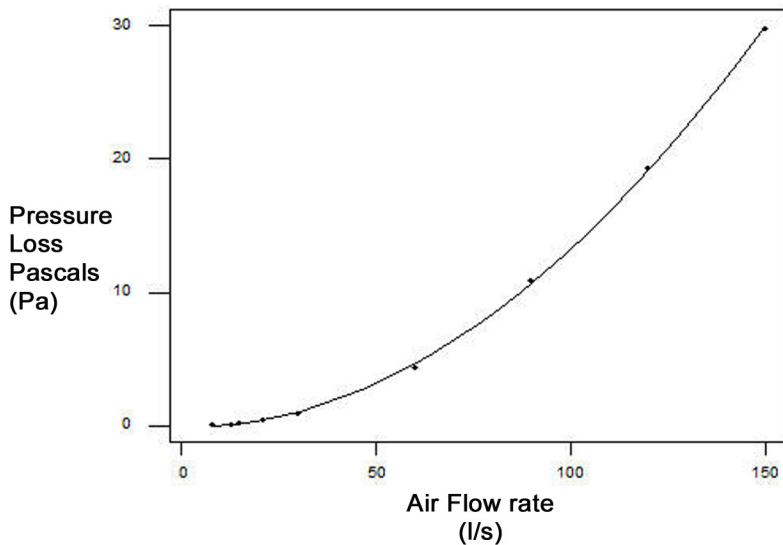
The 125mm diameter Round Pipe Straight Connector is manufactured from (white) High Impact Polystyrene and has a minimum free area of 11,613mm<sup>2</sup>. It has a male spigot for connection inside of the System 125 duct.

Manufactured in compliance with Domestic Plastic Ductwork Specification DW/154 and does meet UL94HB flammability standard.

**MAX/MIN OPERATING TEMPERATURES**  
 + 60°C to - 15°C

Size:	125mm Diameter
For use with:	Vortice Ducting
Box quantity:	20
Individual Weight:	52g
Colour:	White

**PERFORMANCE CURVE**



AIRFLOW	RESISTANCE
8 l/s	0.05 pa
13 l/s	0.12 pa
21 l/s	0.45 pa
30 l/s	0.90 pa
60 l/s	4.30 pa
120 l/s	19.40 pa

Vortice Limited  
 Beeches House  
 Eastern Avenue  
 Burton Upon Trent  
 DE13 0BB  
 Tel: 01283 492949  
 Fax: 01283 544121  
 sales@vortice.ltd.uk  
 www.vortice.ltd.uk