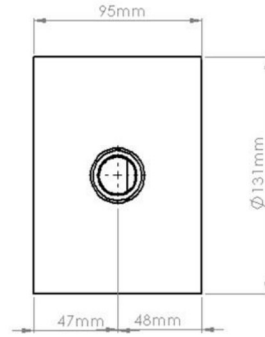
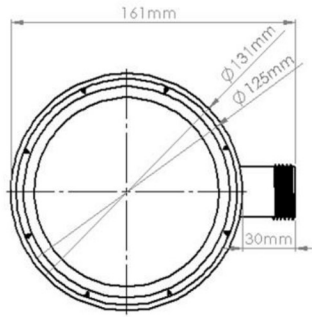


Technical Data Sheet
Code 46441
120mm Condensation Trap



SPECIFICATION DETAILS

The 125mm diameter condensation trap is manufactured from (grey) UPVC and has a minimum free area of 8,561mm².

It has a female adaptor for connection to the outside for our system 100 round ducting. The condensation trap is installed at the lowest point in vertical rises where moisture from condensation can occur.

The condensation trap captures any moisture running down the inside of the duct and is drained via a 22mm overflow pipe connector. Is manufactured in compliance with Domestic Plastic Ductwork. Specification DW/154 and does meet UL94hb flammability standard.

Size:	125mm Ducting
For use with:	Vortice Ducting
Box quantity:	10
Individual Weight:	160g
Colour:	Grey

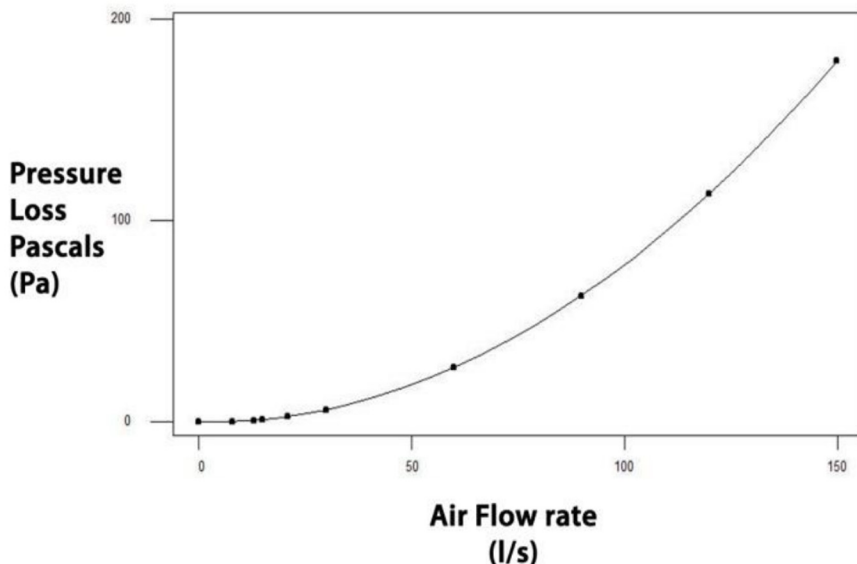
MAX/MIN OPERATING TEMPERATURES

+ 60°C to - 15°C

AIRFLOW RESISTANCE

8 l/s	0.30 pa
13 l/s	1.00 pa
21 l/s	3.00 pa
30 l/s	6.70 pa
60 l/s	28.00 pa
120 l/s	110.00 pa

PERFORMANCE CURVE



Vortice Limited
 Beeches House
 Eastern Avenue
 Burton Upon Trent
 DE13 0BB
 Tel: 01283 492949
 Fax: 01283 544121
 sales@vortice.ltd.uk
 www.vortice.ltd.uk