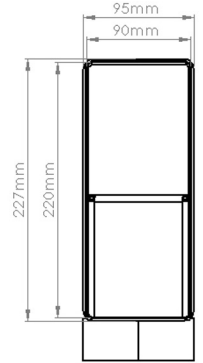
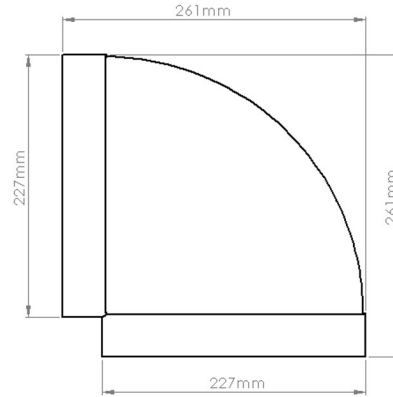


Technical Data Sheet
Code 46480
FD220 90 Degree Horizontal Bend



SPECIFICATION DETAILS

The rectangular Horizontal 90° Bend is manufactured from (white) High Impact Polystyrene and has a minimum free area of 18,545mm². It has a female adaptor for connection outside of the System 220 duct.

Fully compliant with SAP Appendix Q Product Characteristics Database recommendations for duct sizes used with both extract and Mechanical Heat Recovery Systems.

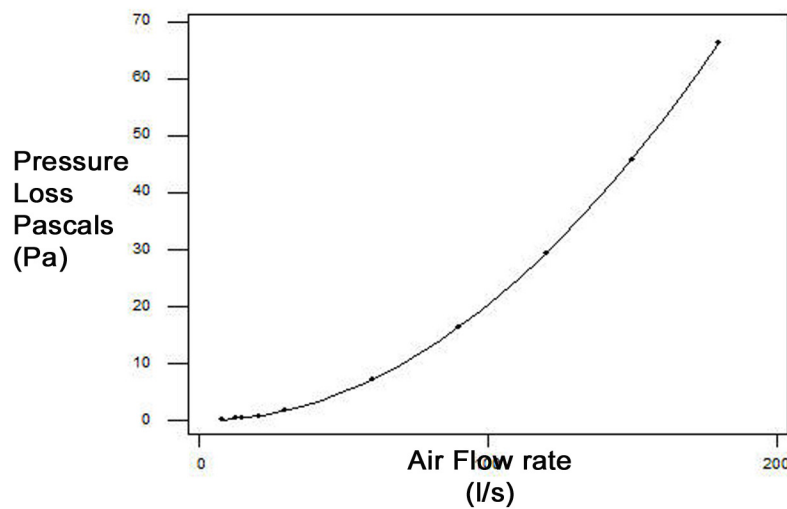
Manufactured in compliance with Domestic Plastic Ductwork Specification DW/154 and does meet UL94HB flammability standard.

Size:	220mm x 90mm
For use with:	Vortice Ducting
Box quantity:	8
Individual Weight:	398g
Colour:	White

MAX/MIN OPERATING TEMPERATURES

+ 60°C to - 15°C

PERFORMANCE CURVE



AIRFLOW

RESISTANCE

8 l/s	0.27 pa
13 l/s	0.51 pa
21 l/s	0.90 pa
30 l/s	1.80 pa
60 l/s	7.30 pa
120 l/s	29.50 pa

Vortice Limited
 Beeches House
 Eastern Avenue
 Burton Upon Trent
 DE13 0BB
 Tel: 01283 492949
 Fax: 01283 544121
 sales@vortice.ltd.uk
 www.vortice.ltd.uk