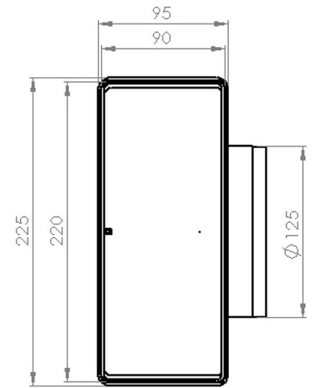
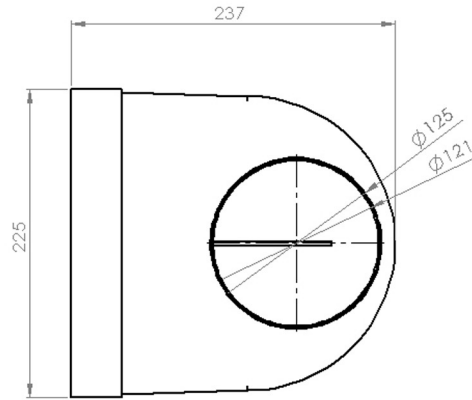


# Technical Data Sheet

Code 46481

FD220 Round - Rectangular Bend 125mm ID



## SPECIFICATION DETAILS

The rectangular elbow Bend with 125mm diameter Fixed Spigot Bend is manufactured from (white) High Impact Polystyrene. The 220x90mm rectangular end has a minimum free area of 18,545mm<sup>2</sup> with a female adaptor for connection outside of the System 220 duct. The 125mm diameter round end has a minimum free area of 12,266mm<sup>2</sup> with a male spigot for connection inside of the System 125 duct.

Fully compliant with SAP Appendix Q Product Characteristics Database recommendations for duct sizes used with both extract and Mechanical Heat Recovery Systems.

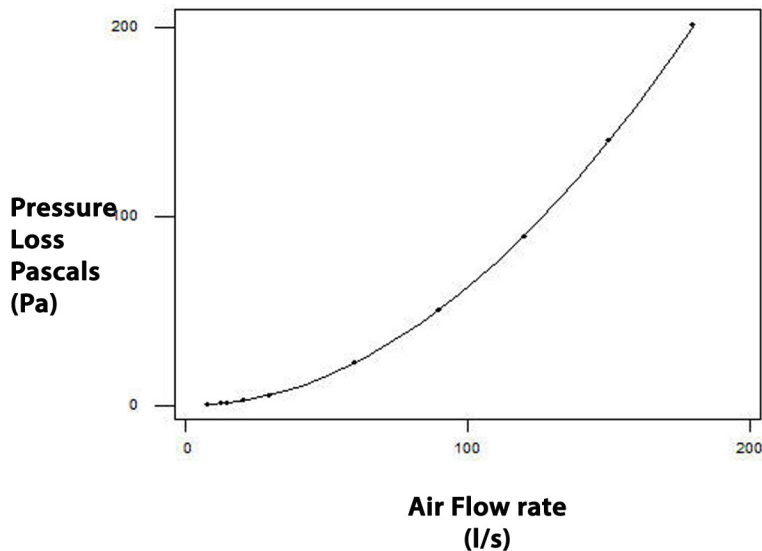
Manufactured in compliance with Domestic Plastic Ductwork Specification DW/154 and does meet UL94HB flammability standard.

## MAX/MIN OPERATING TEMPERATURES

+ 60°C to - 15°C

Size:	220mm x 90mm to 125mm Diameter
For use with:	Vortice Ducting
Box quantity:	8
Individual Weight:	378g
Colour:	White

## PERFORMANCE CURVE



## AIRFLOW RESISTANCE

8 l/s	0.80 pa
13 l/s	1.40 pa
21 l/s	3.50 pa
30 l/s	5.90 pa
60 l/s	23.00 pa
120 l/s	90.20 pa

Vortice Limited  
 Beeches House  
 Eastern Avenue  
 Burton Upon Trent  
 DE13 0BB  
 Tel: 01283 492949  
 Fax: 01283 544121  
 sales@vortice.ltd.uk  
 www.vortice.ltd.uk