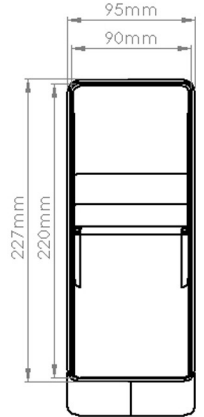
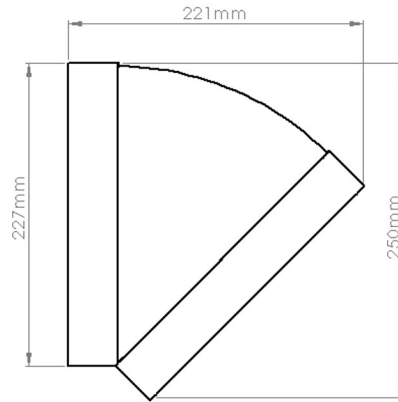


Technical Data Sheet

Code 46485

FD220 FD220 45 Degree Horizontal Bend



SPECIFICATION DETAILS

The 220x90mm Rectangular Horizontal 45° Bend is manufactured from (white) High Impact Polystyrene and has a minimum free area of 18,545mm². It has a female adaptor for connection out side of the System 220 duct.

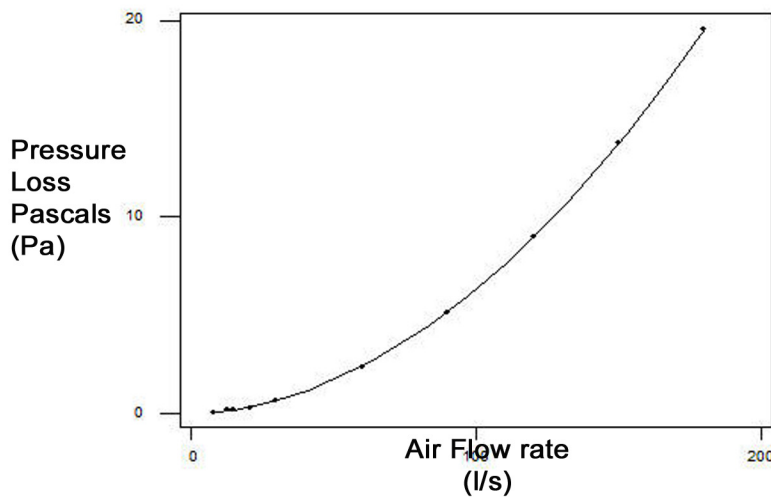
Fully compliant with SAP Appendix Q Product Characteristics Database recommendations for duct sizes used with both extract and Mechanical Heat Recovery Systems.

Manufactured in compliance with Domestic Plastic Ductwork Specification DW/154 and does meet UL94HB flammability standard.

MAX/MIN OPERATING TEMPERATURES

+ 60°C to - 15°C

PERFORMANCE CURVE



Size:	220mm x 90mm
For use with:	Vortice Ducting
Box quantity:	12
Individual Weight:	283g
Colour:	White

AIRFLOW

8 l/s
13 l/s
21 l/s
30 l/s
60 l/s
120 l/s

RESISTANCE

0.10 pa
0.19 pa
0.33 pa
0.70 pa
2.40 pa
9.00 pa

Vortice Limited
Beeches House
Eastern Avenue
Burton Upon Trent
DE13 0BB
Tel: 01283 492949
Fax: 01283 544121
sales@vortice.ltd.uk
www.vortice.ltd.uk