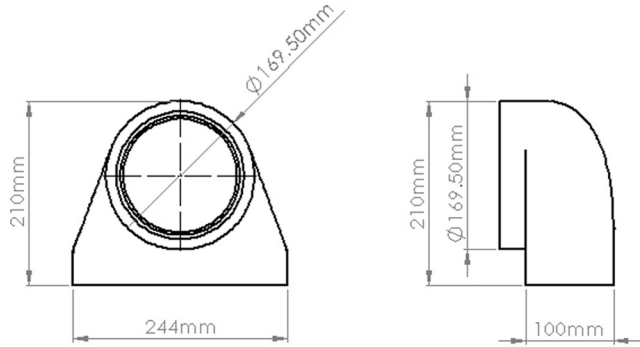


Technical Data Sheet

Code 46720

FD200 Thermal Self Seal Round - Rectangular Bend 125mm ID



SPECIFICATION DETAILS

The Self-Seal Thermal insulated fitting is manufactured from graphite impregnated expanded polystyrene (EPS) with a minimum density of 25kg/m³ and provides a free area of 12,232 mm². The product is supplied with self-seal female couplings that allow the ducting fitted with a Duct to Fitting Connector to be plugged into the fitting apertures with a push, click and lock mechanism.

The Self-Seal female couplings are manufactured from prime High Impact Polystyrene and a Thermoplastic Elastomer Dynamic Sealing Gasket.

The EPS material is fully tested to meet the thermal conductivity requirements of BASF-EN13163 to assist with the prevention of condensation and is flame retardant to DIN 4102-B1.

Self-Seal Thermal Fittings exceed the current UK Domestic Ventilation Regulation requirements of Part F 2010 Domestic Ventilation Compliance Guide and NHBC Guidance Document Chapter 3.2 and provide a thermal conductivity of 0.03 W/mK which at 20mm thickness gives a thermal resistance or R-value of 0.666 m²K/W.

The patent pending push, click and lock mechanism provides a low leakage solution which exceeds the requirements set out in DW/143 Class A leakage test and DW/154 ductwork standards.

The Self-Seal Thermal is compliant with the requirements outlined in the Energy performance characteristics database for use in SAP with MVHR and MEV supply and extract ventilation systems.

Size: 204mm x 60mm

For use with: Vortice Ducting

Box quantity: 6

Individual Weight: 198g

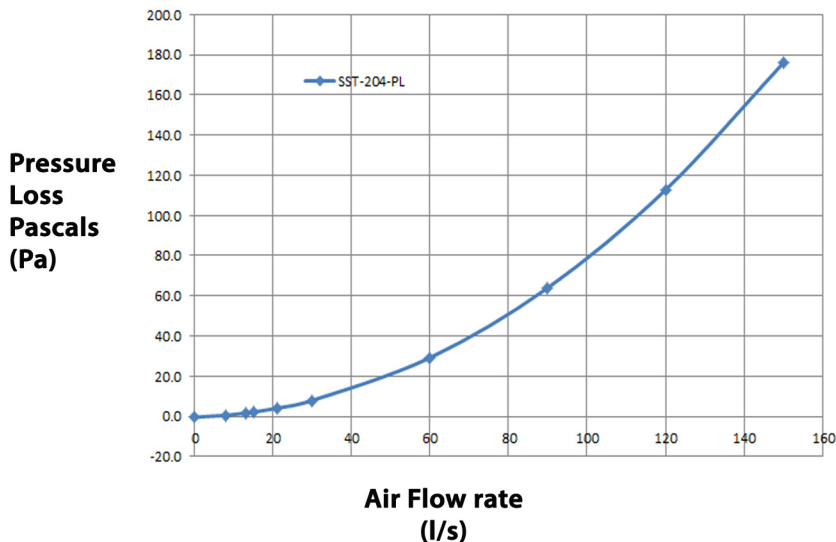
Colour: Grey

Thermal Resistance: 0.666 m²K/W

Thermal Conductivity: 0.03 W/mK

MAX/MIN OPERATING TEMPERATURES + 60°C to - 15°C

PERFORMANCE CURVE



AIRFLOW

RESISTANCE

	125mm	204x60mm
8 l/s	0.50 pa	0.50 pa
13 l/s	1.50 pa	1.60 pa
21 l/s	3.90 pa	4.00 pa
30 l/s	7.70 pa	7.90 pa
60 l/s	29.20 pa	29.20 pa
120 l/s	111.80 pa	112.70 pa

Vortice Limited
 Beeches House
 Eastern Avenue
 Burton Upon Trent
 DE13 0BB
 Tel: 01283 492949
 Fax: 01283 544121
 sales@vortice.ltd.uk
 www.vortice.ltd.uk