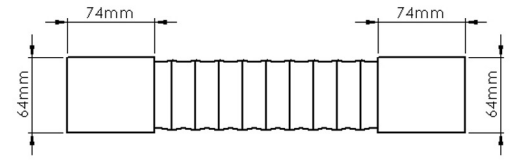
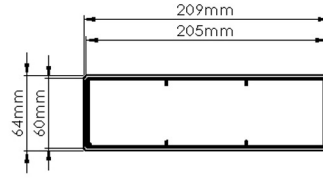


Technical Data Sheet

Code 46170

FD200 0.5 Metre Rectangular PVC Flexible Bend



SPECIFICATION DETAILS

The 46170 204x60mm Rectangular Flexible Bend 500mm long is manufactured from (white) High Impact Polystyrene and PVCp. The 204x60mm rectangular end has a minimum free area of 11,452mm² with a female adaptor for connection outside of the System 204 duct.

The 46170 is fully compliant with SAP Appendix Q Product Characteristics Database recommendations for duct sizes used with both extract and Mechanical Heat Recovery Systems.

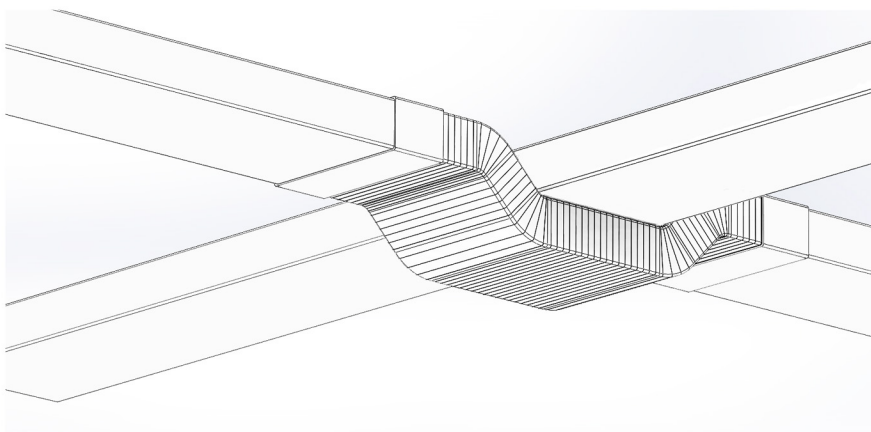
46170 is manufactured in compliance with Domestic Plastic Ductwork Specification DW/154 and does meet UL94HB flammability standard.

MAX/MIN OPERATING TEMPERATURES + 60°C to - 15°C

Box quantity: 5

Individual Weight: 280g

Colour: White



AIRFLOW RESISTANCE

8 l/s	N/A
13 l/s	N/A
21 l/s	N/A
30 l/s	N/A
60 l/s	N/A
120 l/s	N/A