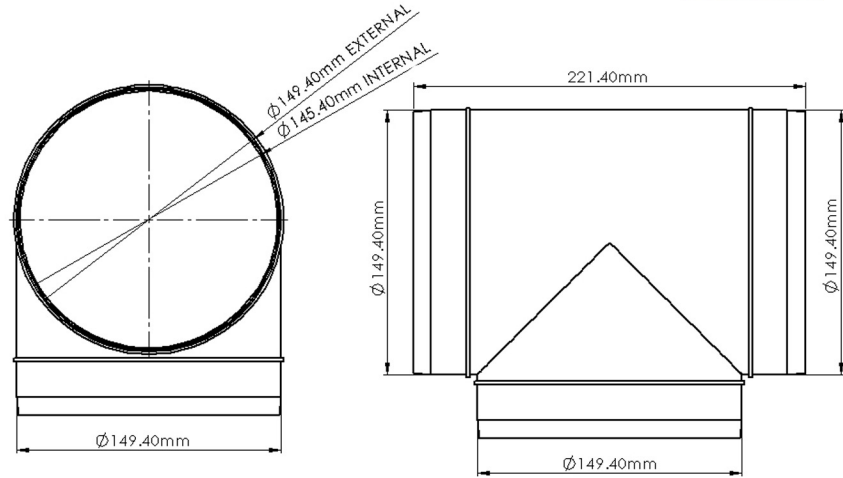
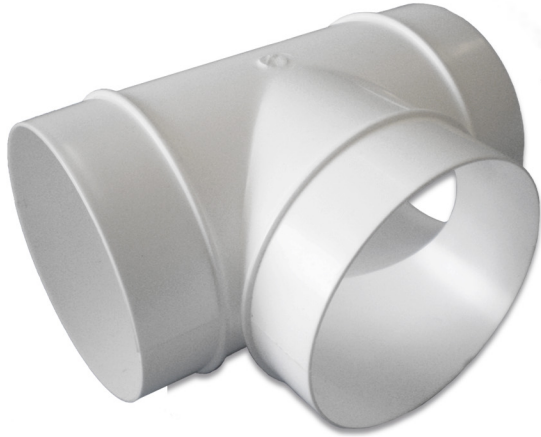


Technical Data Sheet

Code 46214

150mm Round T Piece Plastic



SPECIFICATION DETAILS

The 46214 150mm diameter Equal T Piece is manufactured from (white) High Impact Polystyrene and has a minimum free area of 16,627mm². It has a male spigot for connection inside of the System 150 duct.

The 46214 is fully compliant with SAP Appendix Q Product Characteristics Database recommendations for duct sizes used with both extract and Mechanical Heat Recovery Systems.

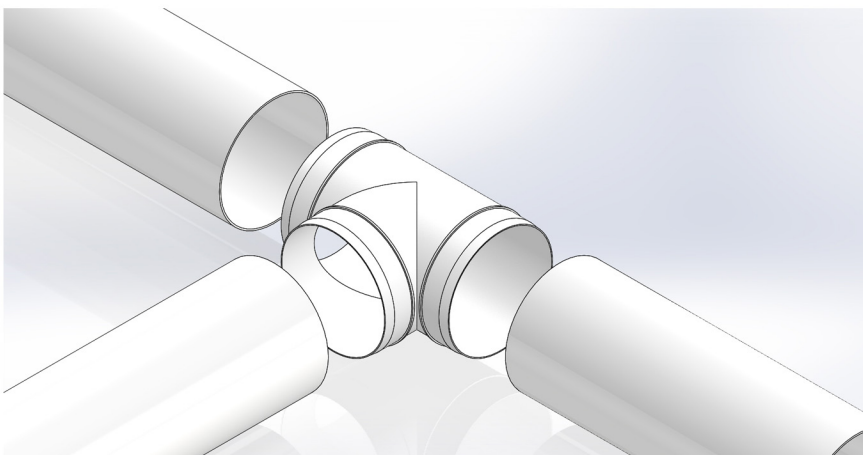
46214 is manufactured in compliance with Domestic Plastic Ductwork Specification DW/154 and does meet UL94HB flammability standard.

MAX/MIN OPERATING TEMPERATURES + 60°C to - 15°C

Box quantity: 8

Individual Weight: 220g

Colour: White



AIRFLOW

RESISTANCE

8 l/s	N/A
13 l/s	N/A
21 l/s	N/A
30 l/s	N/A
60 l/s	N/A
120 l/s	N/A