

Technical Data Sheet

CODE 11293

VORT HRI 350 PHANTOM B.P.

Ceiling-mounting residential heat recovery
units



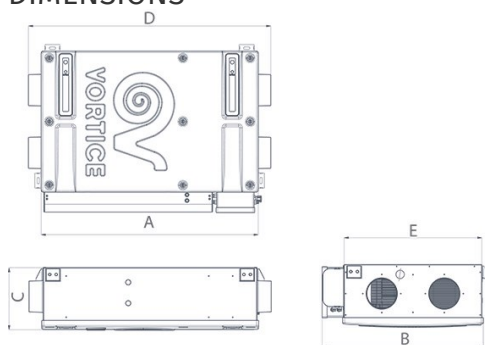
Certifications



TECHNICAL AND PERFORMANCE DATA

Absorbed Current max (A)	1,4	Delivery max (m ³ /h)	350
Absorbed Power max (W)	165	Pressure max (mmH ₂ O)	58,0
Frequency (Hz)	50	Pressure max (Pa)	568
Max ambient temperature for continuous operation (°C)	50	Sound power level - radiated L _w [dB(A)]	51,0
Nominal Diameter (mm)	150	Sound power level exhaust inlet L _w [dB(A)]	37,8
Voltage (V)	230	Sound power level supply outlet L _w [dB(A)]	37,2
Weight (Kg)	37	Sound pressure level air extraction L _p in free field [dB (A)] 3m - max speed	17,3
Delivery max (l/s)	97,0	Sound pressure level air supply L _p in free filed [dB (A)] 3m - max speed	16,7
		Sound pressure level radiated L _p in free filed [dB (A)] 3m - max speed	30,5

DIMENSIONS



Diametro ϕ (mm)	150
Size A (mm)	1183
Size B (mm)	740
Size C (mm)	288
Size D (mm)	1287
Size E (mm)	650

PER INFORMAZIONI:

Servizio al Cliente: tel +39 02 90699395 premendo 1 dopo messaggio registrato (consulenza su prodotti e impianti)

Pre & Post Vendita: fax +39 02 90699302

Email prevendita: prevendita@vortice-italy.com

Technical Data Sheet

CODE 11293

VORT HRI 350 PHANTOM B.P.



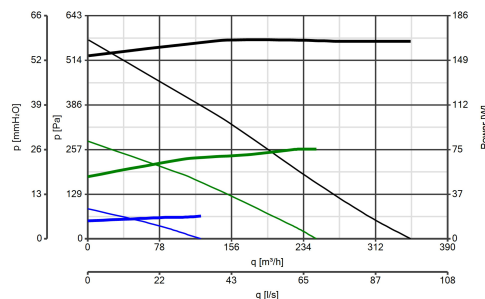
Ceiling-mounting residential heat recovery units

DESCRIPTION

- Zinc-coated pressed steel enclosure; interior lined with sound-absorbent and fire-resistant material (DIN 13501)
- Nominal diameter for duct connections: 125 mm.
- EC brushless motors with shafts turning in ball bearings, coupled directly to centrifugal impellers; 3 speeds selectable at the moment of installation.
- Air flow settable between 120 m³/h and 350 m³/h.
- Ultra high efficiency cross-flow type heat recovery unit manufactured

- in plastic (polyethylene).
- 100% by-pass, automatically operated.
- Automatically activated system designed to prevent icing of the heat exchanger.
- 2 x F5 filter (F7 optional)
- Electronic control system
- Tie-bolts for suspended installation supplied as standard

CURVES



ACCESSORIES



FTR F7
230X250X48
Code 22628



DCW 250
D.150(BATTERIA
FREDDA)
Code 24146



C PIR
Code 12998



**PANNELLO
INSTALLATORE
SKP10**
Code 22629

PER INFORMAZIONI:

Servizio al Cliente: tel +39 02 90699395 premendo 1 dopo messaggio registrato (consulenza su prodotti e impianti)
Pre & Post Vendita: fax +39 02 90699302
Email prevendita: prevendita@vortice-italy.com