

# Technical Data Sheet

CODE 12108

## Vort Platt HCS

Compact Centralised Mechanical Unit



## Certifications



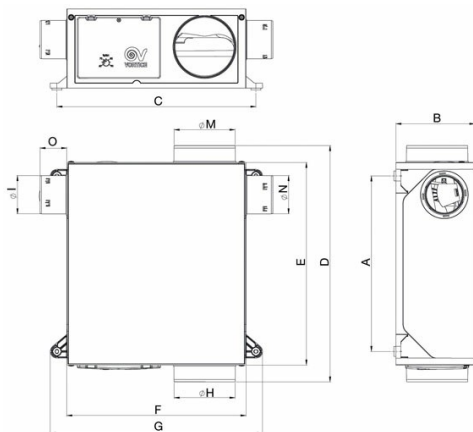
IMQ

CE

## TECHNICAL AND PERFORMANCE DATA

Absorbed Current max (A)	0,25	Voltage (V)	230
Absorbed Current min (A)	0.21		
Nominal Diameter (mm)	80 - 125	Delivery max (l/s)	95.2
Insulation Class	II°	Delivery max (m³/hr)	343
Frequency (Hz)	50	Delivery min (l/s)	48.8
IP	X4	Delivery min (m3hr)	176
Weight (Kg)	5.4	Sound Pressure level Lp [dB (A)] 3m	34.9
Absorbed power max (W)	56	Pressure max (mmH2O)	41.9
Absorbed power min (W)	23	Pressure max (Pa)	411.7
Max ambient temperature for continuous operation (°C)	60	Pressure min (mmH2O)	26.6
		Pressure min (Pa)	261
		RPM max	2610
		RPM min	1300

## DIMENSIONS



Dimension A (mm)	355
Dimension B (mm)	160
Dimension C (mm)	403
Dimension D (mm)	478
Dimension E (mm)	410
Dimension F (mm)	363
Dimension G (mm)	430
Dimension H (mm)	∅
	124,5
Dimension I (mm)	∅
	77,5
Dimension L (mm)	∅
	77,5
Dimension M (mm)	∅
	124,5
Dimension N (mm)	∅
	77,5
Dimension O (mm)	54

# Technical Data Sheet

CODE 12108

## Vort Platt HCS

Compact Centralised Mechanical Unit

---



### DESCRIPTION

- Centralised mechanical extract unit
- Integral HCS Sensors
- Motor protected against thermal overload
- Suitable for kitchen + 2 additional wet rooms
- 125 diameter for extract and kitchen and 80mm dia spigot for additional wet rooms
- Self balancing unit
- IPX 4 Rated
- 2 x trickle speed and 1 x boost speed selectable on installation
- IMQ SAFETY and IMQ PERFORMANCE certifications.

### CURVES

### ACCESSORIES