

Technical Data Sheet

CODE 12192

VORT QUADRO dMEV

De-centralised Centrifugal Surface Mounted Fans



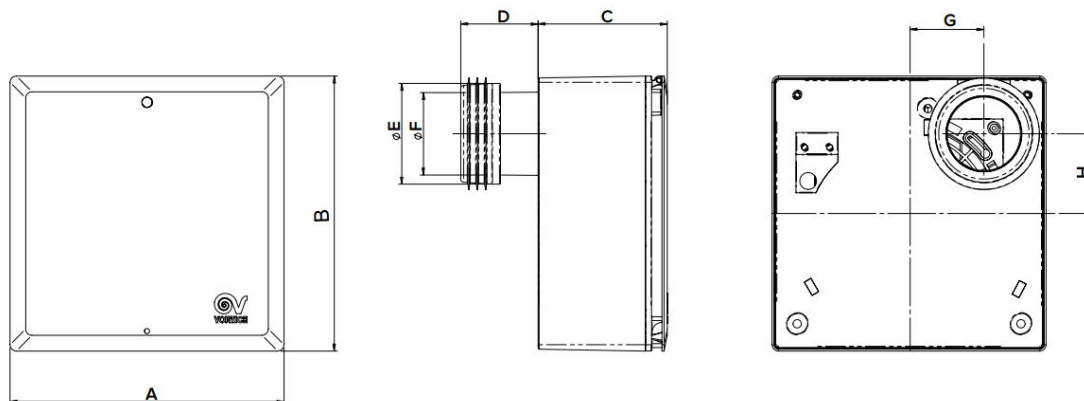
Certifications



TECHNICAL AND PERFORMANCE DATA

Absorbed power 1st speed (W)	8	Delivery 1st speed (l/s)	10
Frequency (Hz)	50	Delivery 1st speed (m ³ /h)	36
Insulation Class	II°	Max delivery at max speed (l/s)	18,9
IP	45	Max delivery at max speed (m ³ /h)	68
Max ambient temperature for continuous operation (°C)	50	Pressure - 1st speed (mmH2O)	
Max. absorbed Current at max. speed (A)	0,085	Pressure - 1st speed (Pa)	
Max. absorbed Current at min. speed (A)		Pressure max - max speed (mmH2O)	20
Max. absorbed power at max speed (W)	8	Pressure max - max speed (Pa)	196,14
Nominal Diameter (mm)	100	RPM max	1730
Ø Discharge Hole (mm)	92,5/97	RPM min	
Voltage (V)	220-240	Sound pressure in free air conditions [dB(A)] 3m	17,4
Weight (Kg)	1,86	Sound pressure level Lp [dB (A)] 3m - max speed	
		Sound pressure level Lp [dB (A)] 3m - min speed	

DIMENSIONS



PRODUCTS	CODE	A	B	C	D	Ø E	Ø F	G	H
VORT QUADRO dMEV	12192	262	262	124	73,5	96	79	71,5	76
VORT QUADRO dMEV T-HCS	12194	262	262	124	73,5	96	79	71,5	76

Dimensions (mm)

Technical Data Sheet

CODE 12192

VORT QUADRO dMEV

De-centralised Centrifugal Surface Mounted Fans



DESCRIPTION

- Material: Filter frame ABS plastic, Rear casings made of E plastic resin according to EN ISO 11925-2:201
- Centrifugal impeller made of PBT allowing the product to have a high rigidity, stability and resistance to aggressive chemical agents.
- Nominal diameter 80 mm.
- G2 filter with a alarm compliant with ERP Regulation No 1253/2014/UE
- EC Bushless motor with shaft on ball bearings, allowing a minimum continuous running time of 30,000 hours at max rated temperature
- IMQ SAFETY and IMQ PERFORMANCE certifications.

ACCESSORIES



**100MM FIXED
GRILLE**

Code
46691 Black
46040 White
22020 Grey
46044 Brown
46052 Beige
46048 Terracotta



CEILING KIT

Code 21668



BOOST SWITCH

Code 46426



**80-100MM
ADAPTOR**

Code 46415

Technical Data Sheet

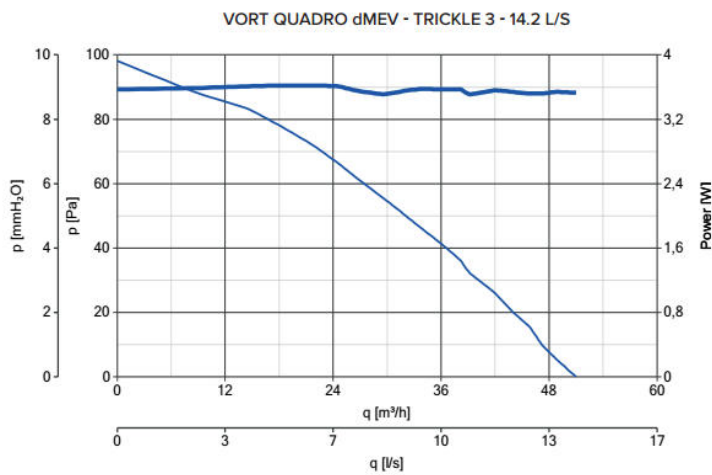
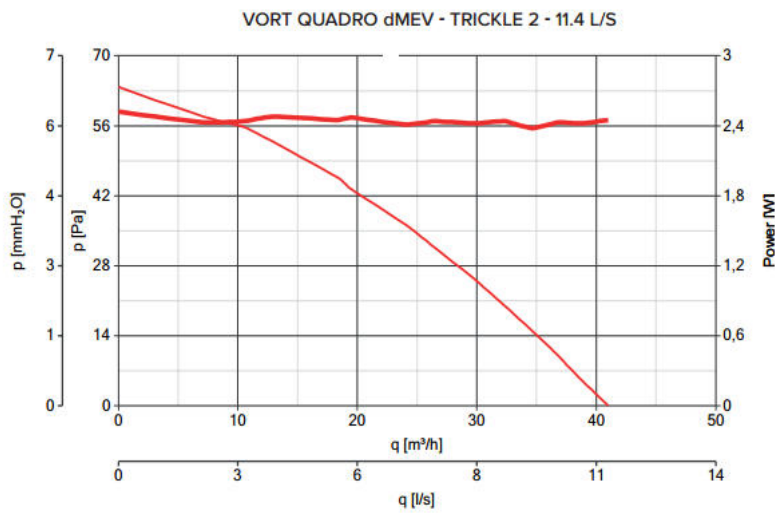
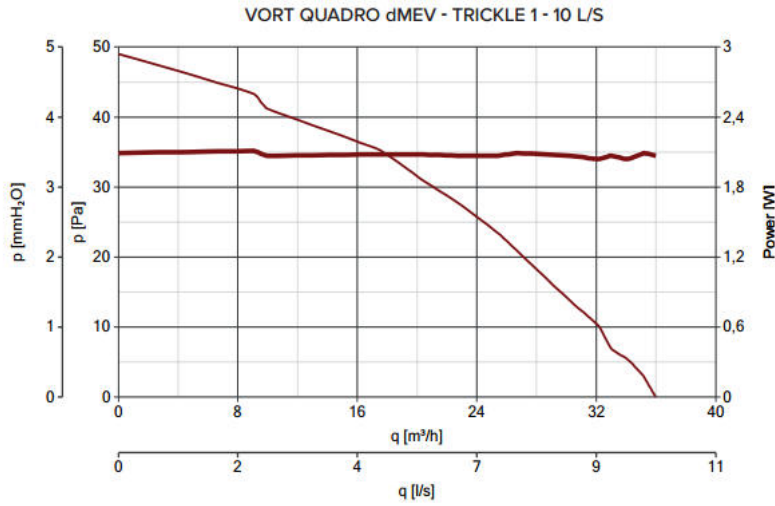
CODE 12192

VORT QUADRO dMEV

De-centralised Centrifugal Surface Mounted Fans



CURVES



Technical Data Sheet

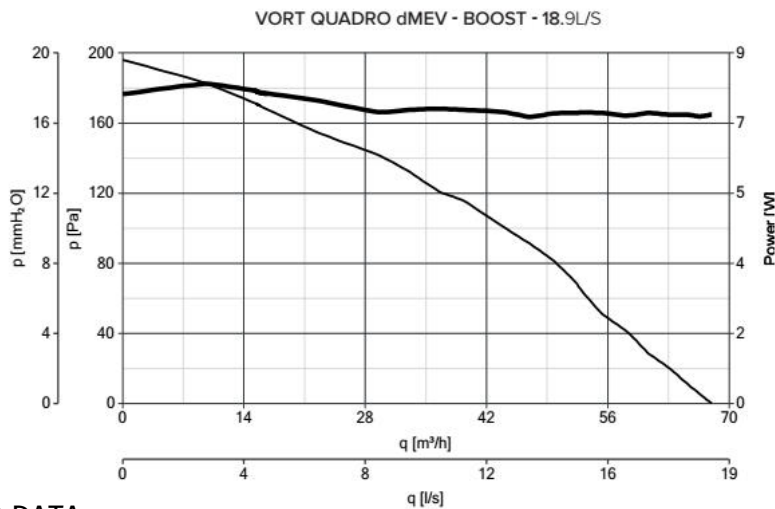
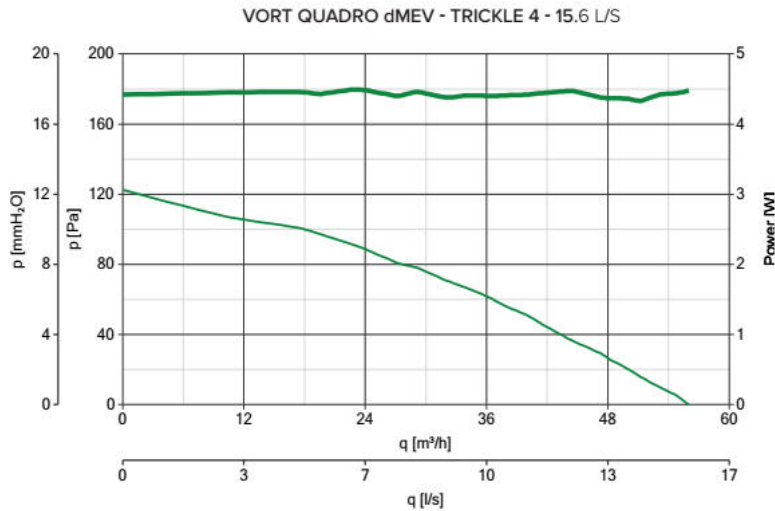
CODE 12192

VORT QUADRO dMEV

De-centralised Centrifugal Surface Mounted Fans



CURVES



PCDB DATA

RECESSED VERSIONS

UNIT CONFIGURATION	LOCATION	FAN SPEED SETTING	SPECIFIC FAN POWER (W/l/s)
in room	kitchen	4	0.31
	wet room	2	0.29
in duct	-	-	-
	-	-	-
through wall	kitchen	4	0.31
	wet room	2	0.29

SURFACE VERSIONS

UNIT CONFIGURATION	LOCATION	FAN SPEED SETTING	SPECIFIC FAN POWER (W/l/s)
in room	kitchen	3	0.23
	wet room	1	0.23
in duct	-	-	-
	-	-	-
through wall	kitchen	3	0.23
	wet room	1	0.23