

BD 9/7 M4 0,35kW (251270260)

GENERAL DATA



FAN DOUBLE INLET

MANUFACTURING FEATURES:

- Galvanised steel sheet housing.
- Polyamide impeller reinforced with fibreglass in models 7/7, 9/9, 10/10 and 12/12. The impeller of the rest of models are made of galvanised steel sheet.
- Double inlet forward curved impeller in all models.
- Supplied with mounting feet (included in price).
- Exclusive system Casals fixing motor and turbine fan by flexible arms silent blocks to avoid any vibration. Arms in compliance with ROHS regulations 2002/95 / EC (Restriction of Hazardous Substances in electrical and electronic equipment)
- Closed motors specially designed Casals: extruded aluminum housing, all protected inside the terminal box on the motor IP 65 protection and motor with IP54 protection and Class F insulation standard voltages: 230V 50Hz in single phase and 230/400V 50Hz three-phase.
- Single phase motors with controllable voltage speed. Three phase motors controllable using a frequency speed controller

APPLICATIONS:

Designed for assembly in equipment:

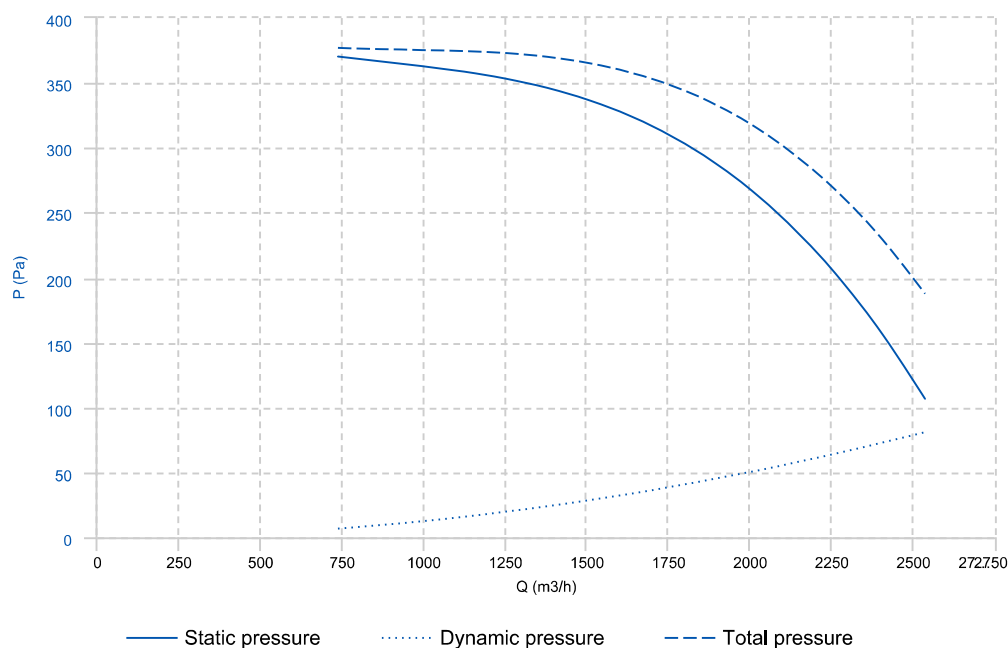
- Ventilation boxes and air handling units.
- Centrifugal heaters.
- Industrial and professional kitchen hoods.
- Maximum working temperature: 50°C for single phase motors and 60°C for three phase motors.

UNDER REQUEST

- Impeller made of galvanized steel sheet.
- MBI assembled

* While stocks last.

PERFORMANCE CURVE



TECHNICAL DATA

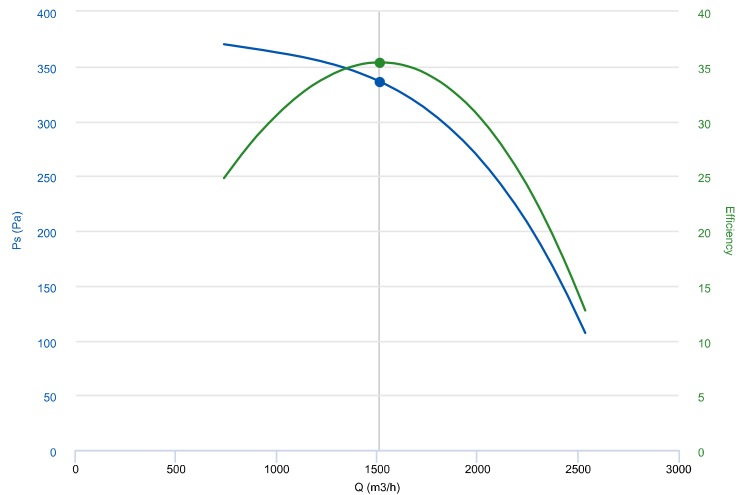
Fan

RPM	1375	Approx. weight	15 kg	Max. Flow	2540 m3/h
-----	------	----------------	-------	-----------	-----------

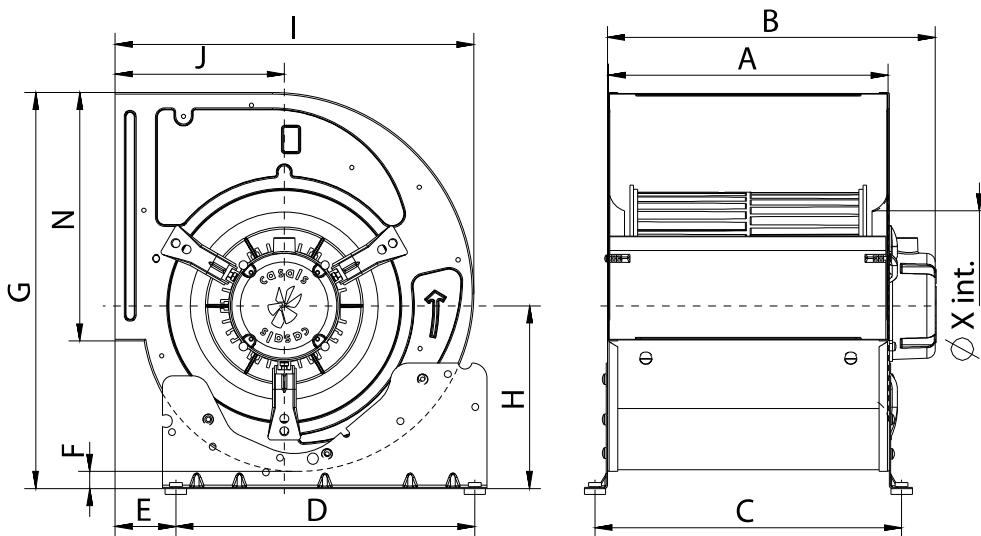
ERP DATA

Fan data sheet

Fan type	Centrifugal fan radial or forward blades	
Installation category	A: Outlet and Inlet free discharge	
Efficiency category	Static	
The fan has to be installed with VF	No	
Motor power (kW)	0.35	
	Fan values	ERP Requirements 2015
Max. efficiency (%)	35.36	35.2
Efficiency grade (N)	44.16	44
Pabs (kW)	0.406	
reports.flow (m3/h)	1515.85	
Static pressure (Pa)	336.02	
Speed (m/s)	1375	
Specific ratio	1.00	



DIMENSIONS



Dimensions (mm)

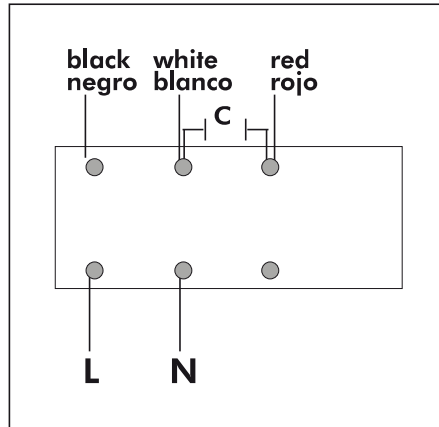
A	233	B m.àx	287	C	262	D	245	E	70
---	-----	--------	-----	---	-----	---	-----	---	----

Dimensions (mm)

F	19	G	407	H	191	I	376	J	184
N	260	X	202						

WIRING DIAGRAM

SINGLE PHASE MOTOR
MOTOR MONOFÁSICO



ACCESSORIES



MANUAL SINGLE PHASE SPEED CONTROLLER
REG 3A
REF: 960710030



SAFETY SWITCH
INT 25 3P A
REF: INT253PA



OUTLET PROTECTION GUARD FOR FANS
RI 9/7
REF: 960000403



PROTECTION GRID FOR BD FANS, MOTOR SIDE
RM 9 (T80)
REF: 960000803



INLET PROTECTION GUARD FOR CENTRIFUGAL FANS
RA 9
REF: 960630100



OUTLET FLANGE FOR BD AND BV FANS
MBI 9/7
REF: 251261691

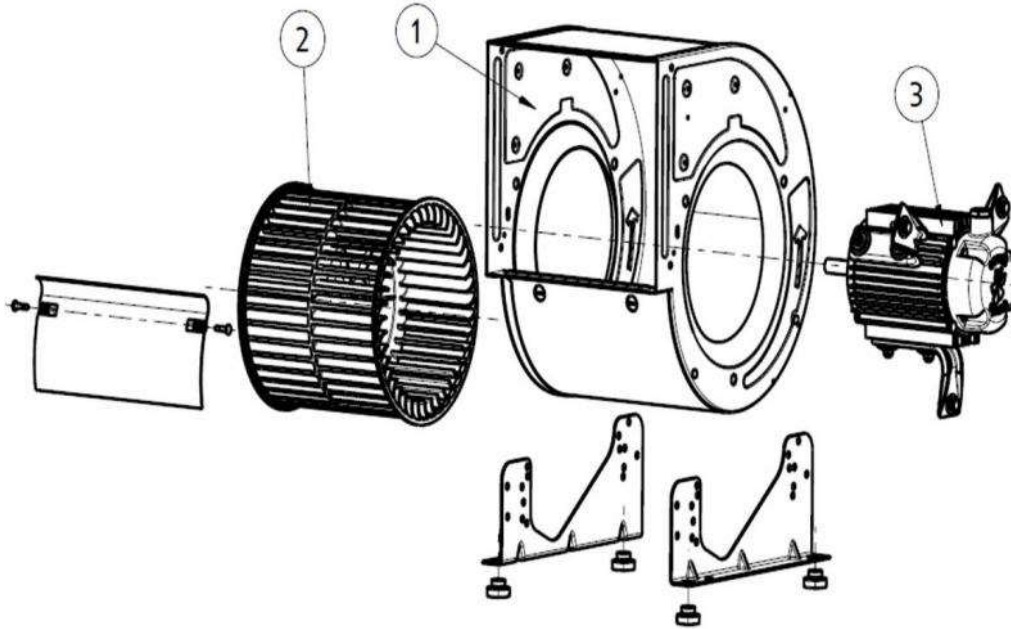


MOUNTING SUPPORT FOR LOW PRESSURE FANS
S 7/9
REF: 960500100



DIGITAL ELECTRONIC CONTROLLER
DIFFERENTIAL PRESSURE/TIME
REG VMC 3A
REF: 300953903

SPARE PARTS



	Code	Model	Qty
1	251269421	CASING BD9/7	x1
2	251269381	TURBINE BD 9/7	x1
3	251279478	MOTOR+SUPPORTS BD9/7M4	x1
3	720331132	MOTOR BD M4 0,35kW 230V	x1