

AER DMEV 100

CODE 10208

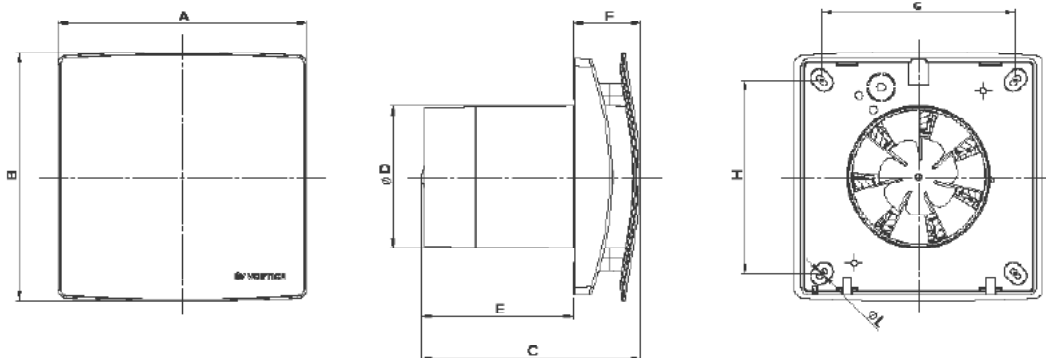


DECENTRALISED MECHANICAL EXTRACT VENTILATION

TECHNICAL AND PERFORMANCE DATA

W min / max	1.2 / 5.8	Lp dB (A) 3m(l) min / max	<9 / 38
A min / max	0.06 / 0.06	°C max	40
AIRFLOW l/s min / max	5 / 25	Weight (Kg)	0.6

DIMENSIONS



Size A (mm)	173
Size B (mm)	173
Size C (mm)	152
Size D (mm)	∅ 99
Size E (mm)	105
Size F (mm)	47
Size G (mm)	135
Size H (mm)	135
Size L (mm)	∅ 4

FOR INFORMATIONI / PER INFORMAZIONI

ITALY

Pre Sales:

prevendita@vortice-italy.com

After Sales:

postvendita@vortice-italy.com

UNITED KINGDOM & REP. OF IRELAND

Sales Dept:

sales@vortice.ltd.uk

Technical Dept:

technical@vortice.ltd.uk

OTHER COUNTRIES

Sales Dept:

export@vortice-italy.com

After Sales:

after-sales@vortice-italy.com

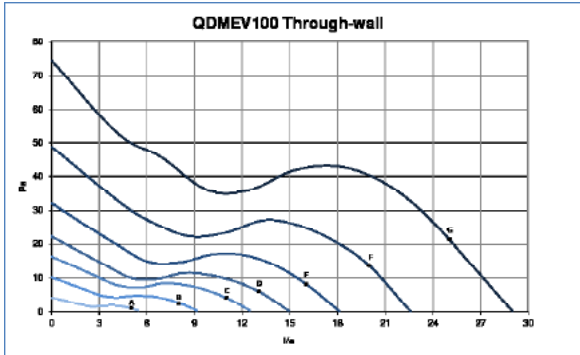
AER DMEV 100

CODE 10208

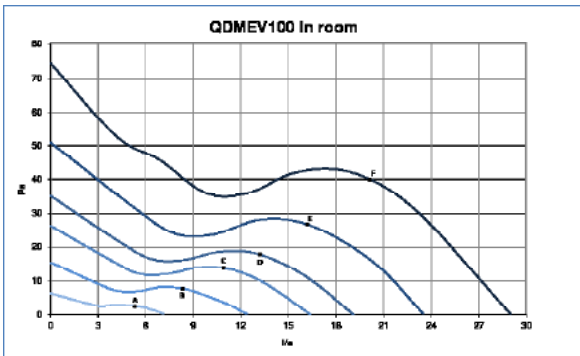


DECENTRALISED MECHANICAL EXTRACT VENTILATION

CURVES



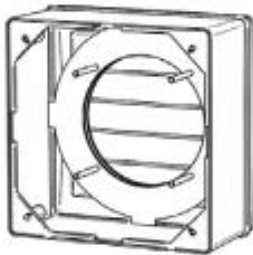
WORKING POINT	m ³ /h	SPI (W/m ³ /h)	l/s	SPI (W/l/s)	W	dB(A) @3m
A	18	0,056	5	0,25	1,2	<9
B	29	0,042	8	0,18	1,4	12
C	40	0,040	11	0,16	1,7	16
D	47	0,041	13	0,16	2	21
E	58	0,043	16	0,15	2,3	29
F	72	0,050	20	0,18	3,4	36
G	90	0,064	25	0,23	5,8	38



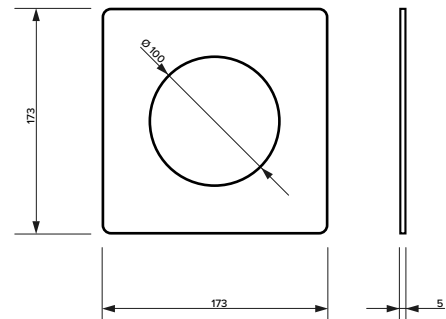
WORKING POINT	m ³ /h	SPI (W/m ³ /h)	l/s	SPI (W/l/s)	W	dB(A) @3m
A	18	0,056	5	0,25	1,2	<9
B	29	0,042	8	0,18	1,4	12
C	40	0,040	11	0,16	1,7	16
D	47	0,041	13	0,16	2	21
E	58	0,043	16	0,15	2,3	29
F	72	0,050	20	0,18	3,4	36

ACCESSORIES

WINDOW KIT AER DMEV 100
CODE 20686



CEILING GASKET AER DMEV 100
CODE 20687



FOR INFORMATIONI / PER INFORMAZIONI

ITALY

Pre Sales:
prevendita@vortice-italy.com
After Sales:
postvendita@vortice-italy.com

UNITED KINGDOM & REP. OF IRELAND

Sales Dept:
sales@vortice.ltd.uk
Technical Dept:
technical@vortice.ltd.uk

OTHER COUNTRIES

Sales Dept:
export@vortice-italy.com
After Sales:
after-sales@vortice-italy.com