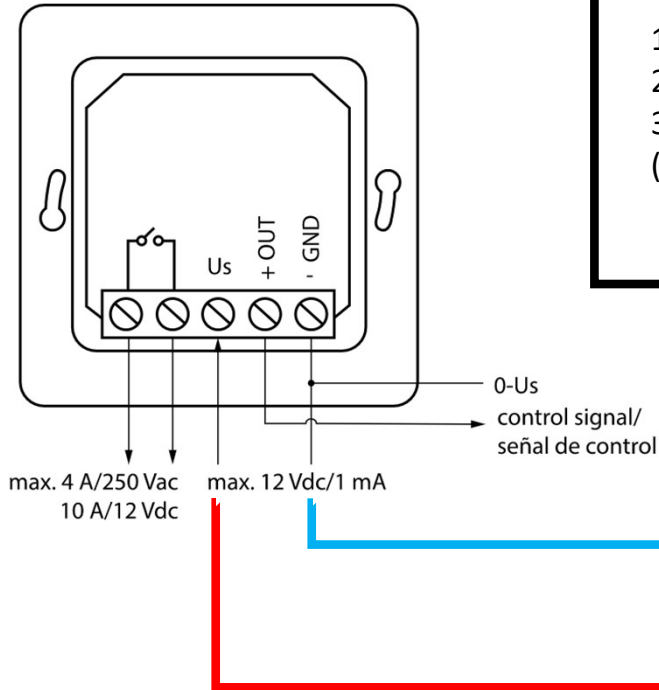


# REGC + EEC FAN

REGC



- 1- 220V Supply motor through N and L
- 2- Power the REGC with 10V. Connect GND with GND and Us with Vcc
- 3- Connect terminal 2 (Vsp) of the motor with +OUT of the REGC (control signal 0-10V)

## VENTILADOR EEC

Nº	Signal Señal	Colour Color	Specification Especificación
1	GND	Blue Azul	
2	Vsp	Yellow Amarillo	0-10V/PWM
3	Vcc	Red Rojo	DC 10V
4	FG	White Blanco	1 Pulse/R

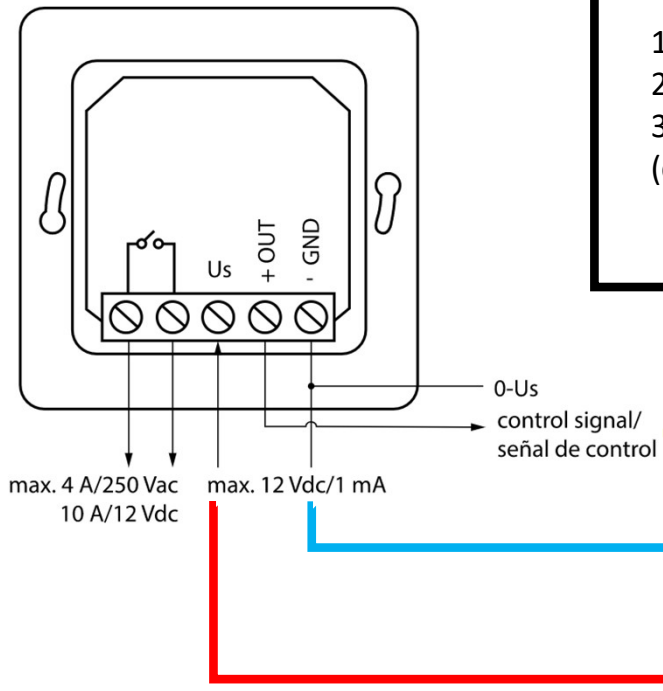
220V

L  
N

Nº	Signal Señal	Colour Color	Specification Especificación
1	L	Brown Marrón	AC 220V-50/60 Hz
2	N	Blue Azul	AC 220V-50/60 Hz
3	Pe	Yellow-Green Amarillo-Verde	

# REGC + EEC FAN

REGC



1- 220V Supply motor through N and L  
 2- Power the REGC with 10V. Connect GND with GND and Us with Vcc  
 3- Connect terminal 2 (V<sub>sp</sub>) of the motor with +OUT of the REGC (control signal 0-10V)

## VENTILADOR EEC

Nº	Signal Señal	Colour Color	Specification Especificación
1	GND	Blue Azul	
2	V <sub>sp</sub>	Yellow Amarillo	0-10V/PWM
3	V <sub>cc</sub>	Red Rojo	DC 10V
4	FG	White Blanco	12 Pulse/R

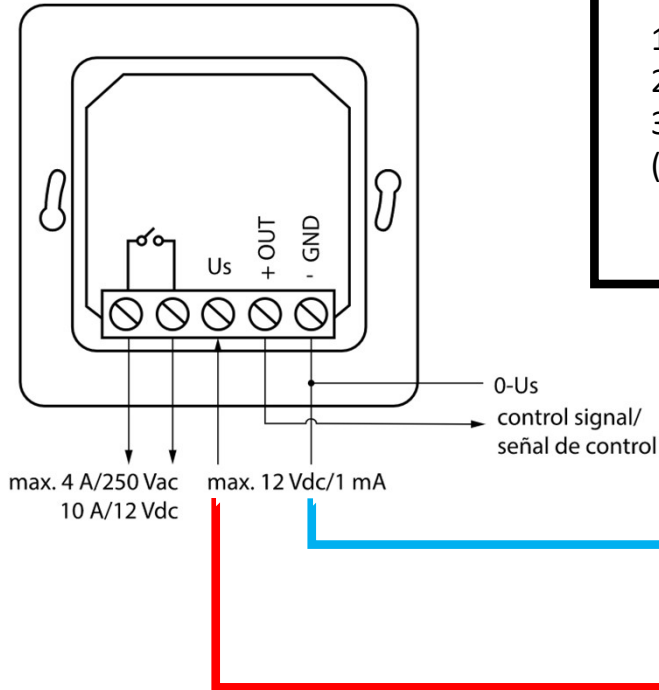
220V



Nº	Signal Señal	Colour Color	Specification Especificación
1	L	Brown Marrón	AC 220V-50/60 Hz
2	N	Blue Azul	AC 220V-50/60 Hz
3	Pe	Yellow-Green Amarillo-Verde	

# REGC + EEC FAN (Three phase)

REGC



- 1- 380V Supply motor through L1, L2 and L3
- 2- Power the REGC with 10V. Connect GND with GND and Us with Vcc
- 3- Connect terminal 2 (Vsp) of the motor with +OUT of the REGC (control signal 0-10V)

## VENTILADOR EEC

Nº	Signal Señal	Colour Color	Specification Especificación
1	GND	Blue Azul	
2	Vsp	Yellow Amarillo	0-10V/PWM
3	Vcc	Red Rojo	DC 10V
4	FG	White Blanco	1 Pulse/R



Nº	Signal Señal	Colour Color	Specification Especificación
1	L1	Black Negro	AC380V/50Hz
2	L2	Black Negro	AC380V/50Hz
3	L3	Black Negro	AC380V/50Hz
4	Pe	Yellow-Green Amarillo-Verde	